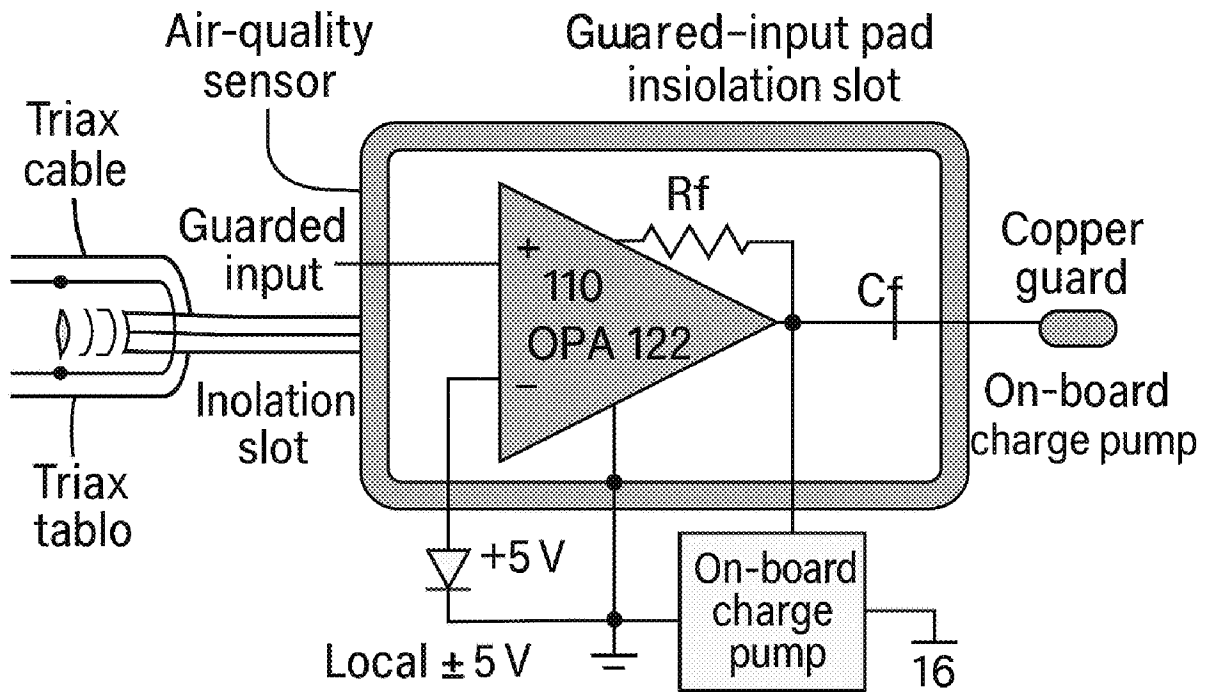
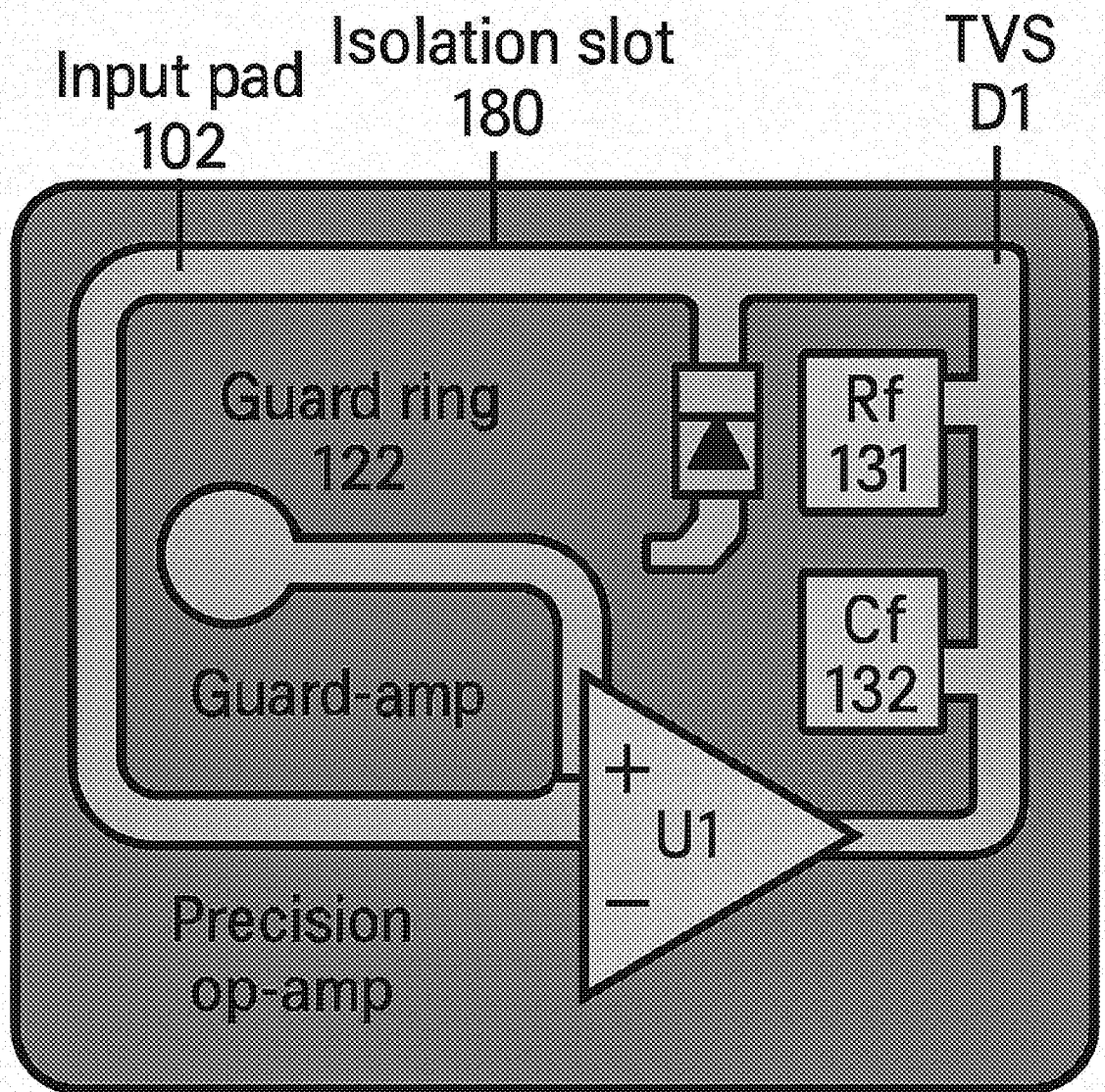
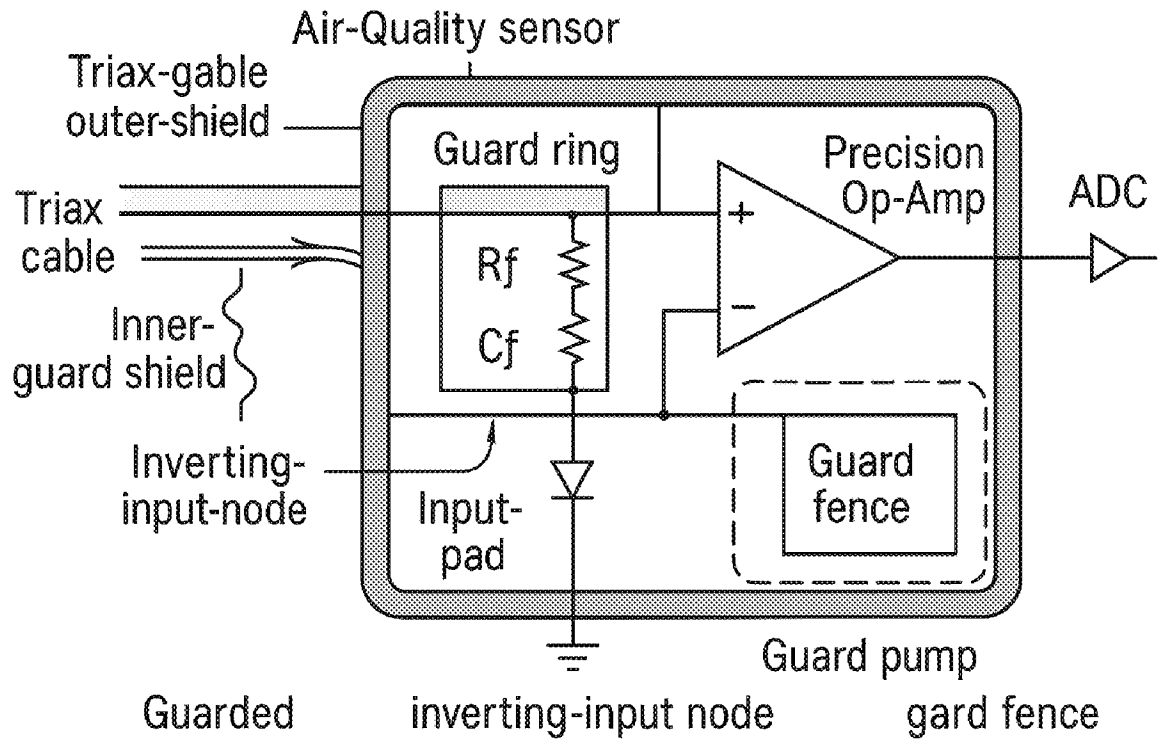


Figures



Low-leakage driven-guard transimpedance amf-end





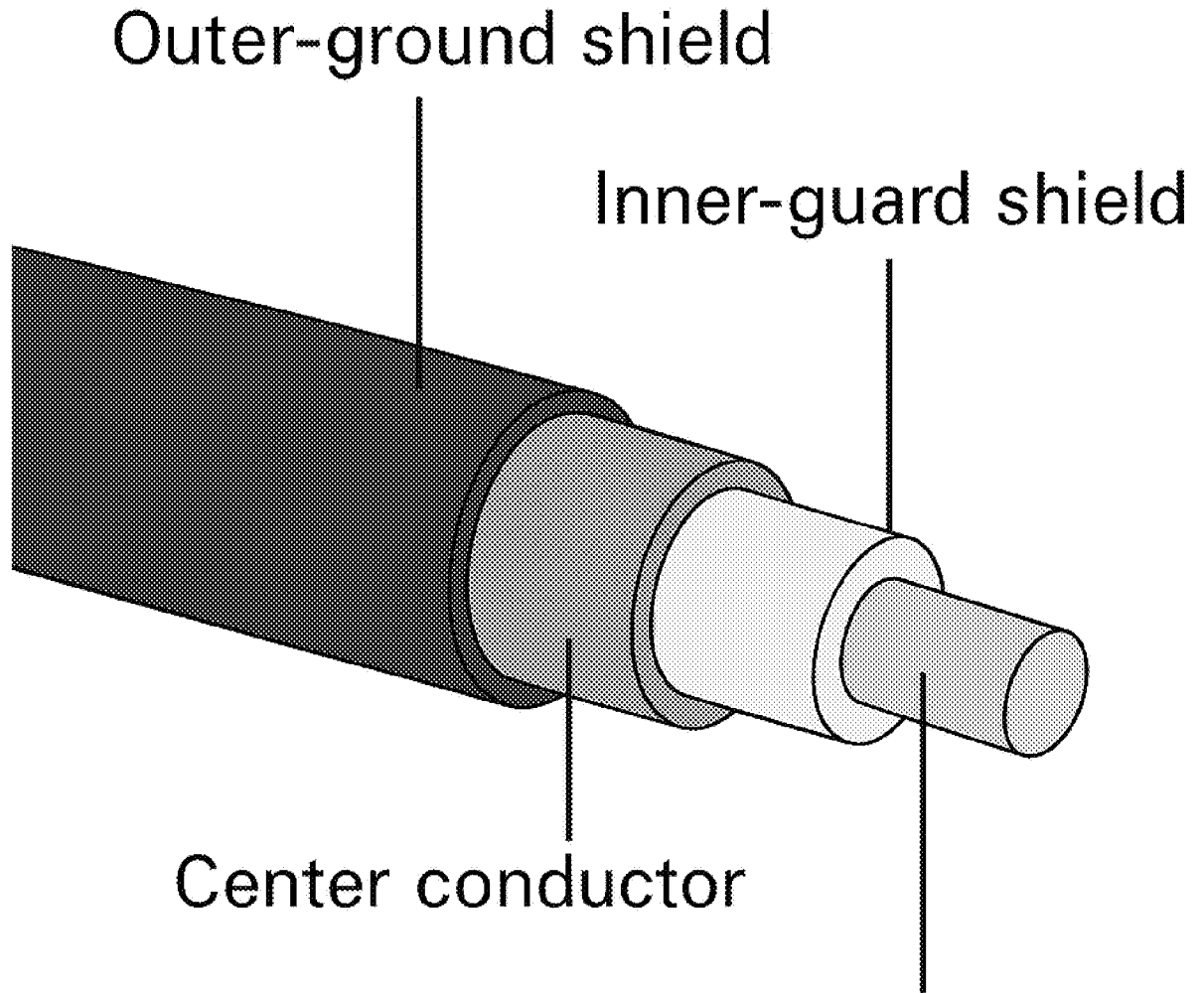
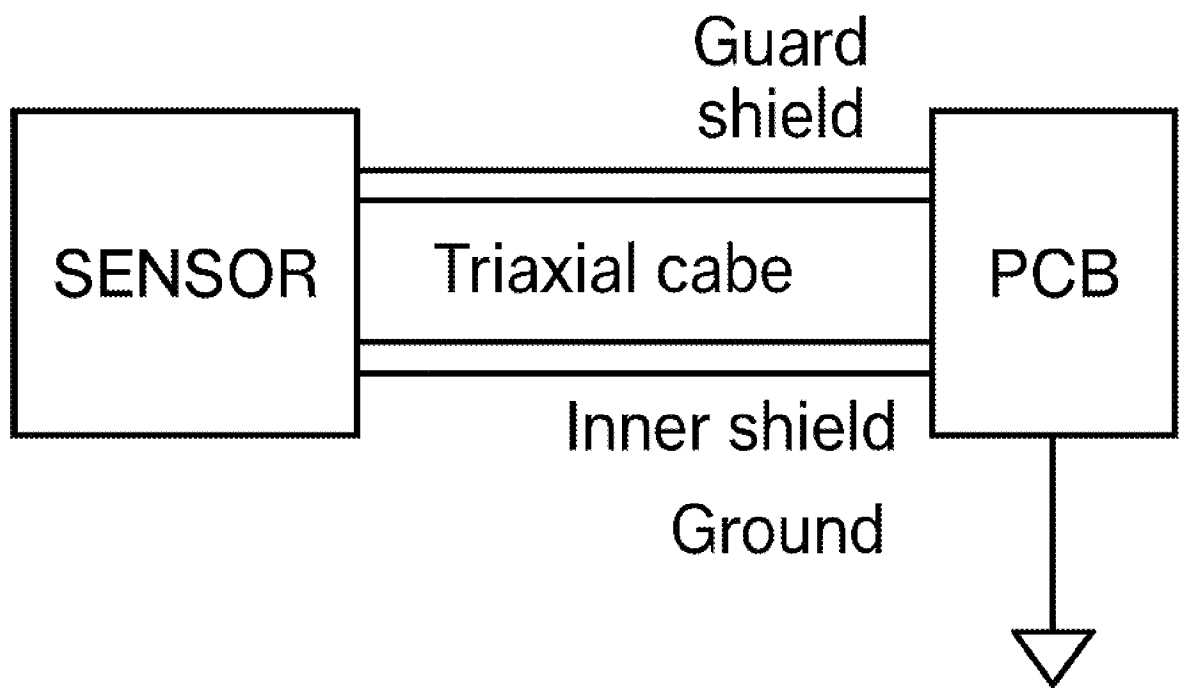


Figure 2.1 – Perspective cut-away of triaxial cable



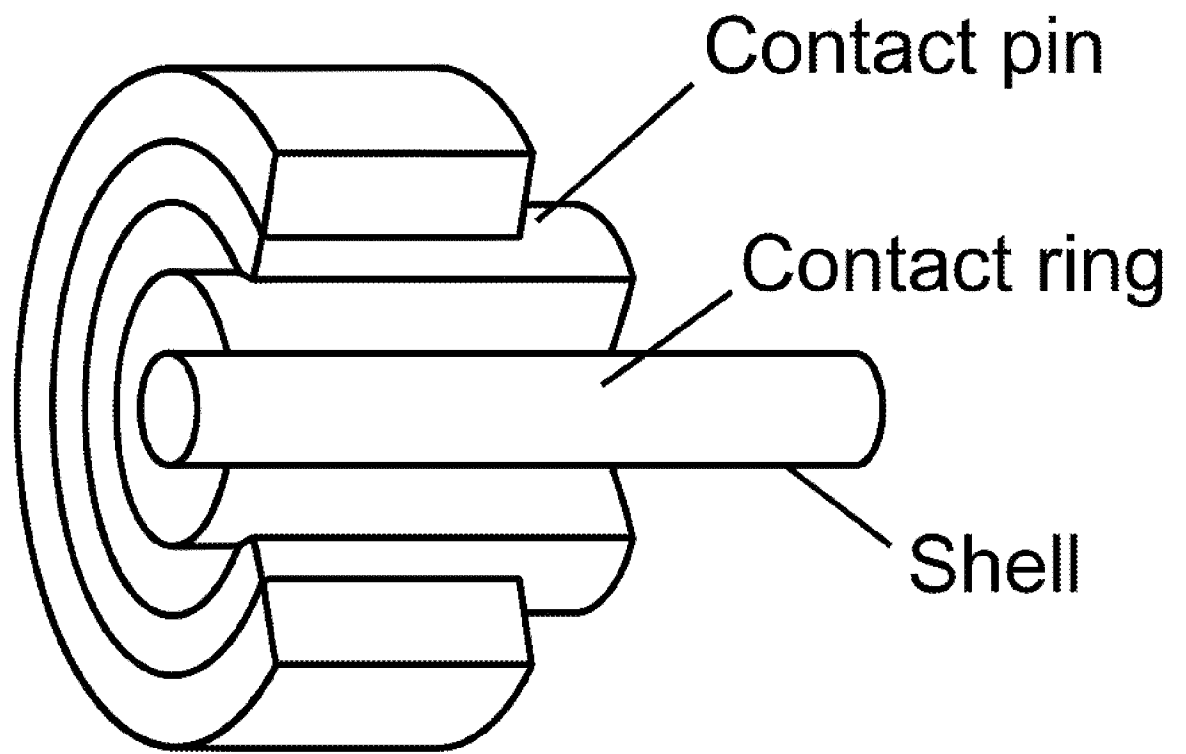


Fig. 2.3

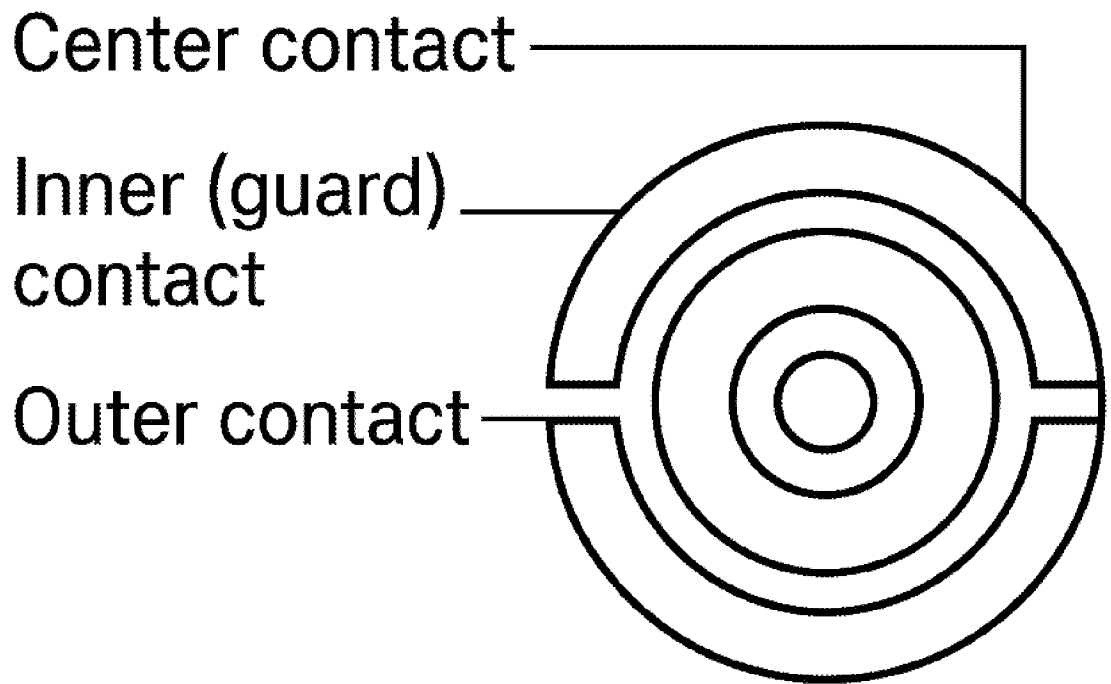


Fig. 2.3

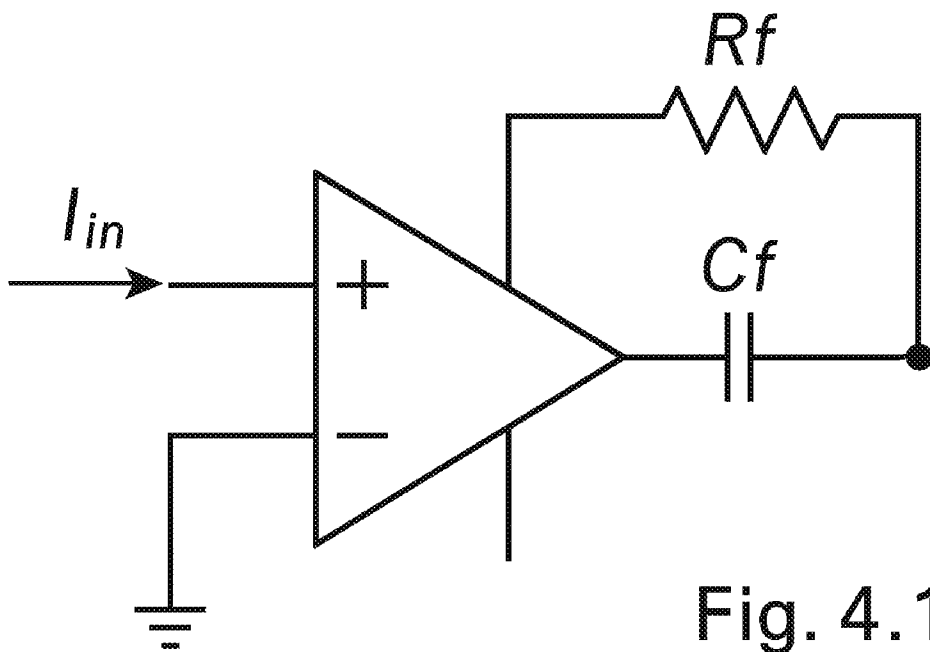
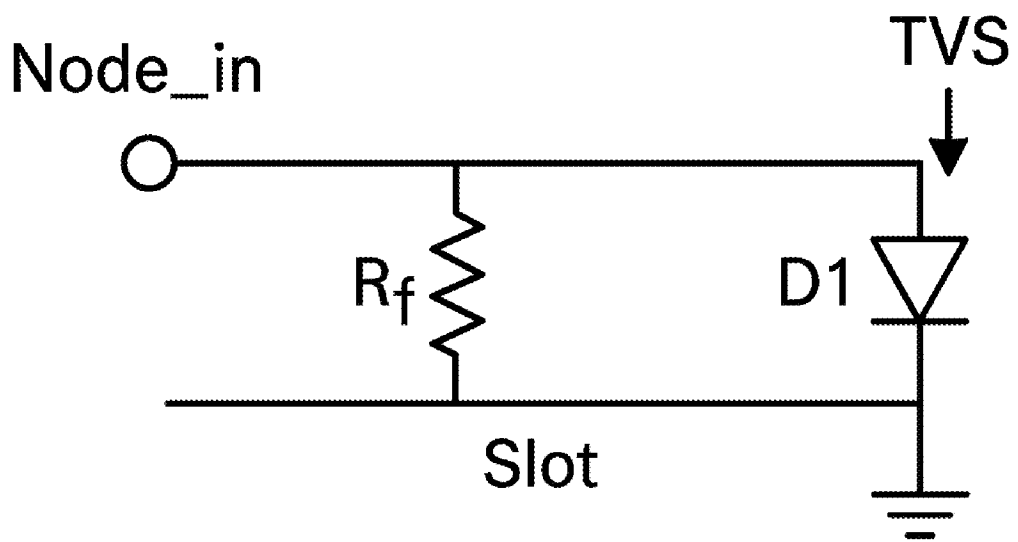


Fig. 4.1

Fig. 3.3



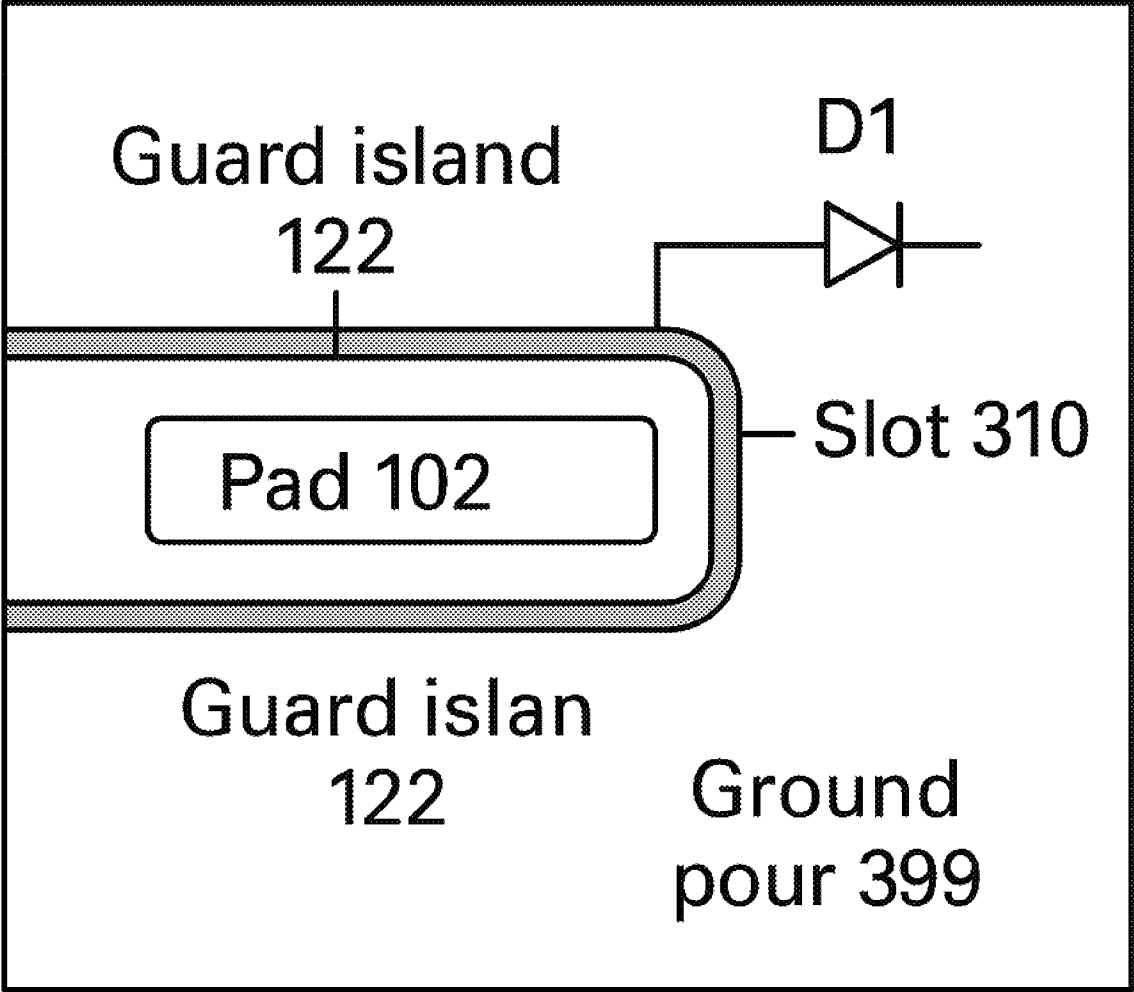


Fig. 3.1

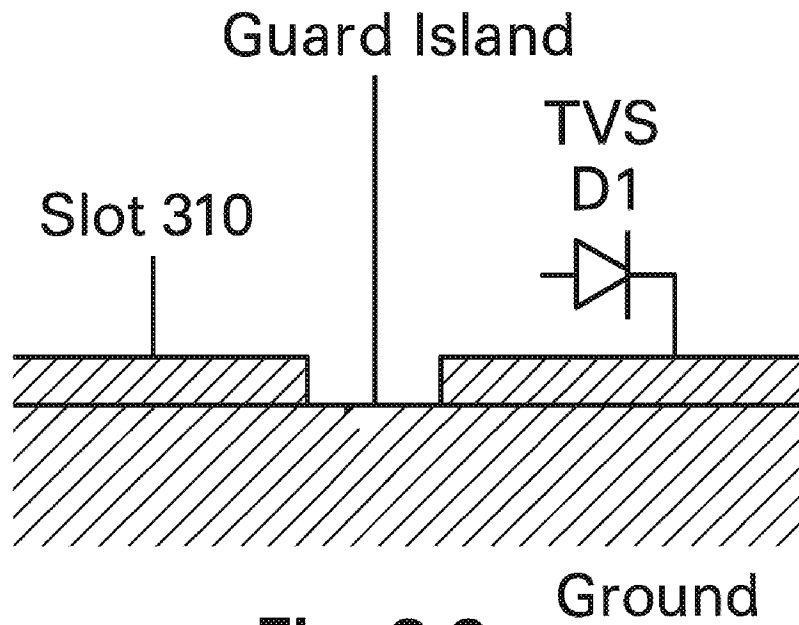
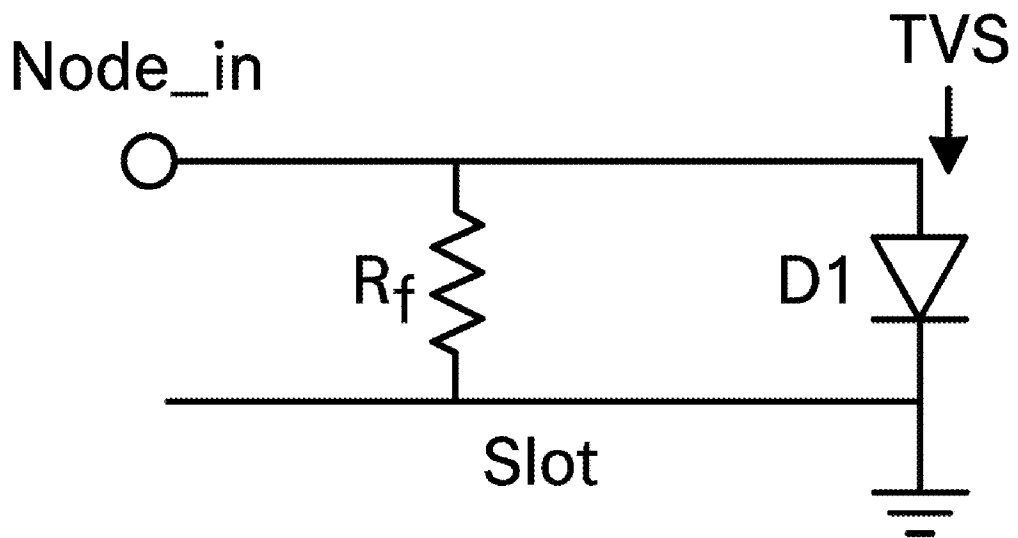


Fig. 3.2

Fig. 3.3



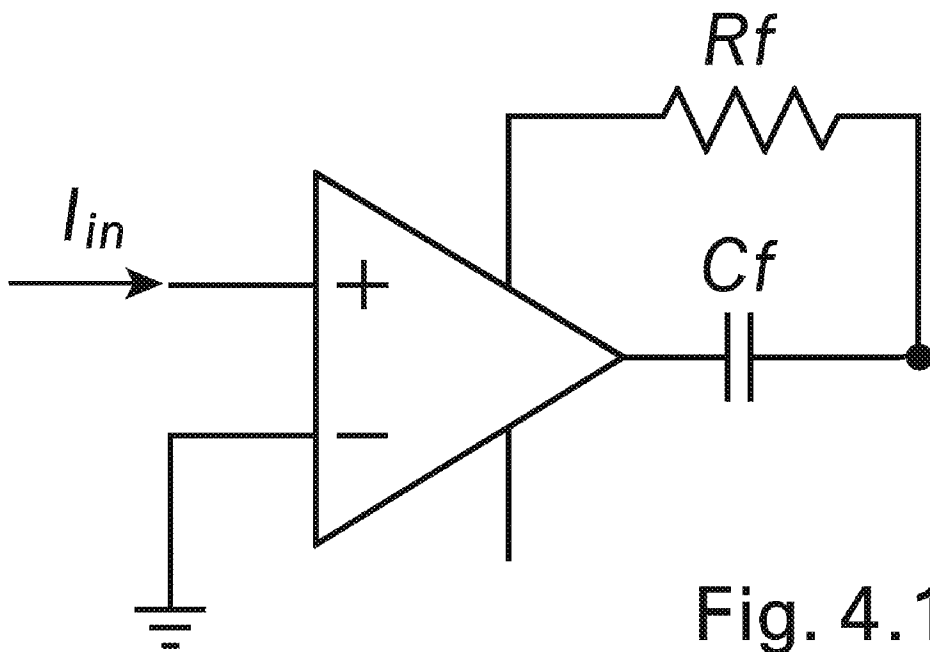


Fig. 4.1

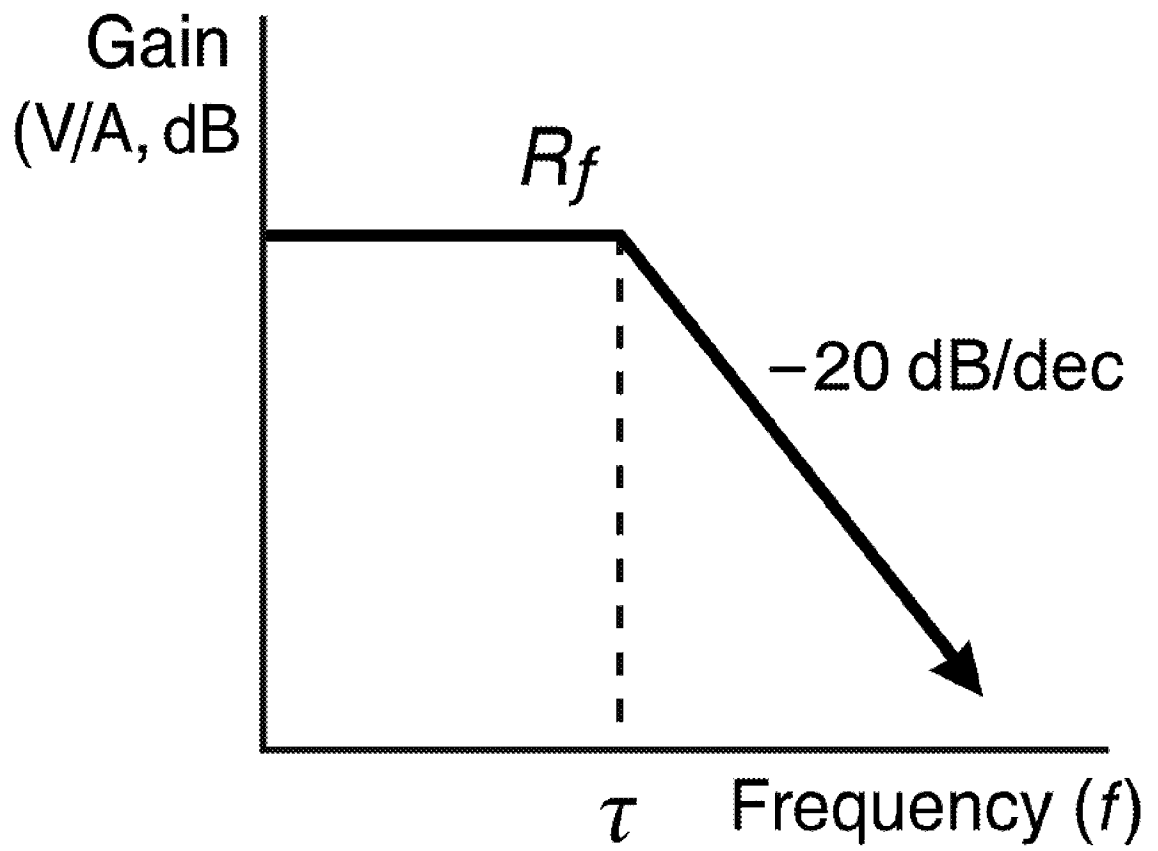


Fig. 4.2

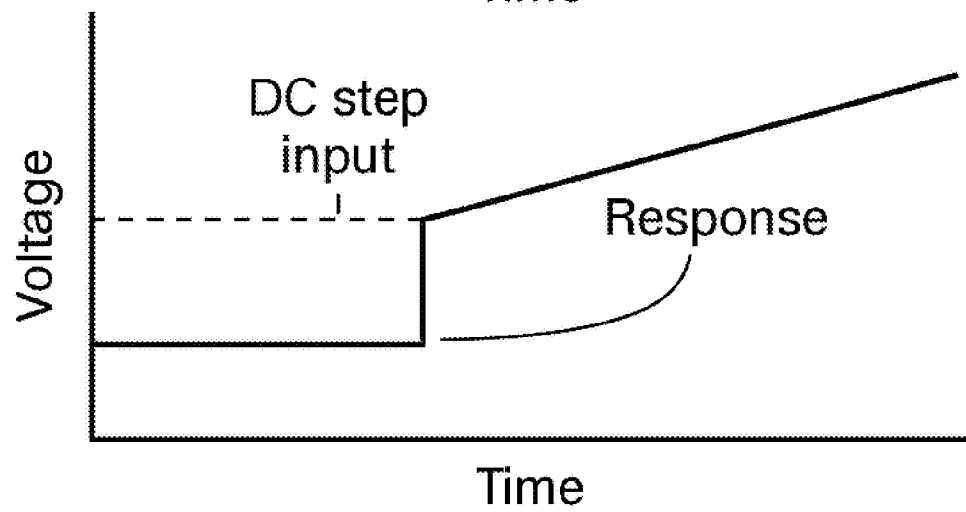
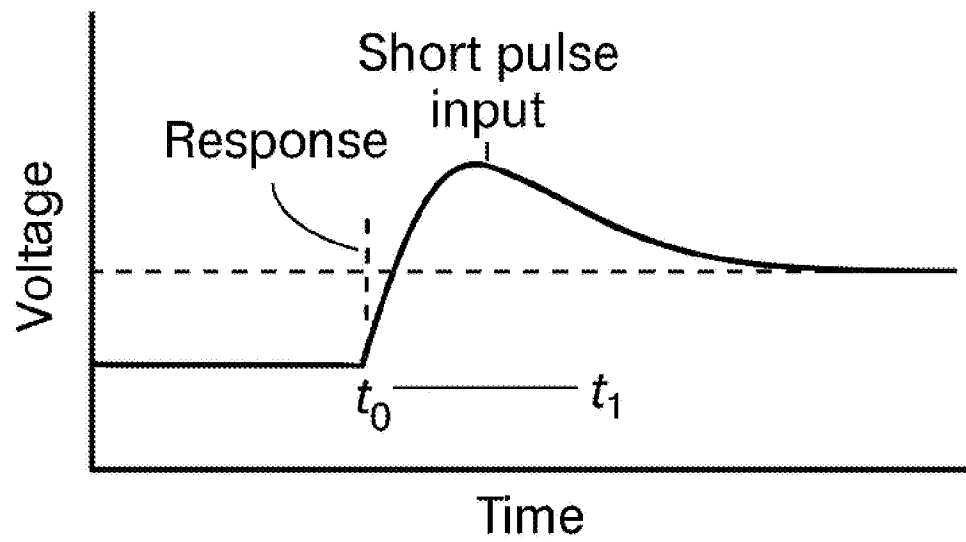


Fig. 4.3

Fig. 5.3

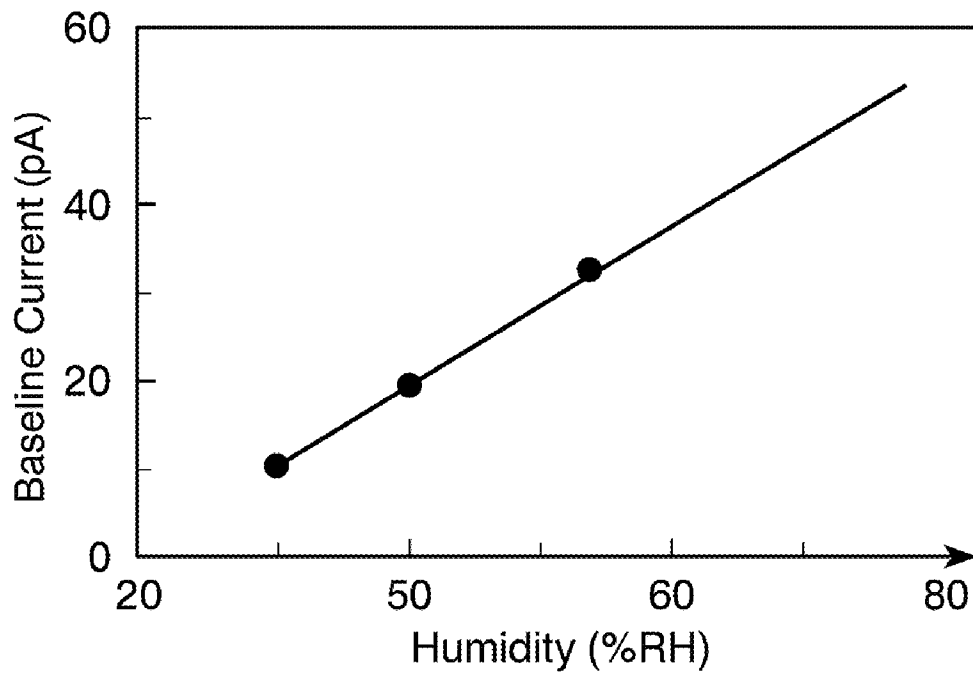
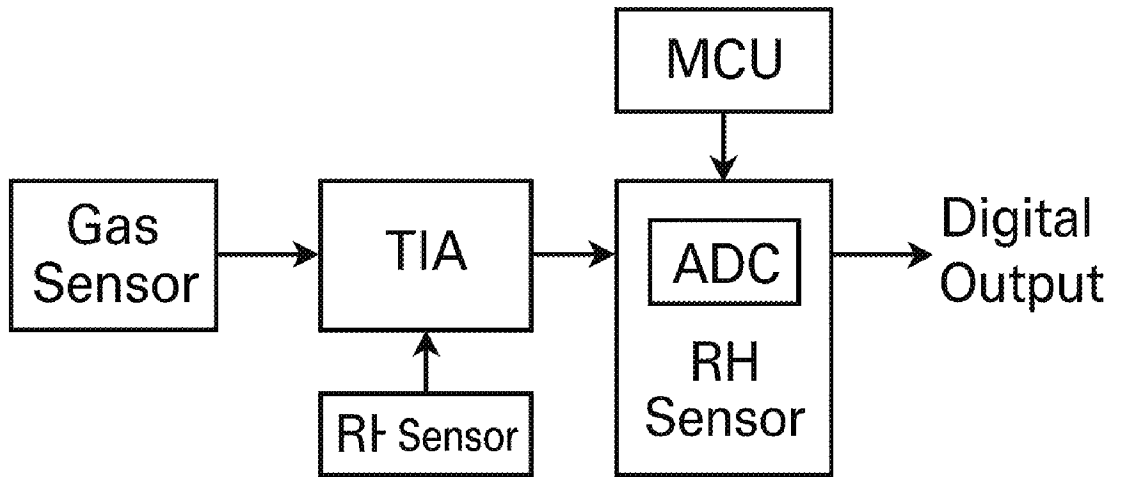
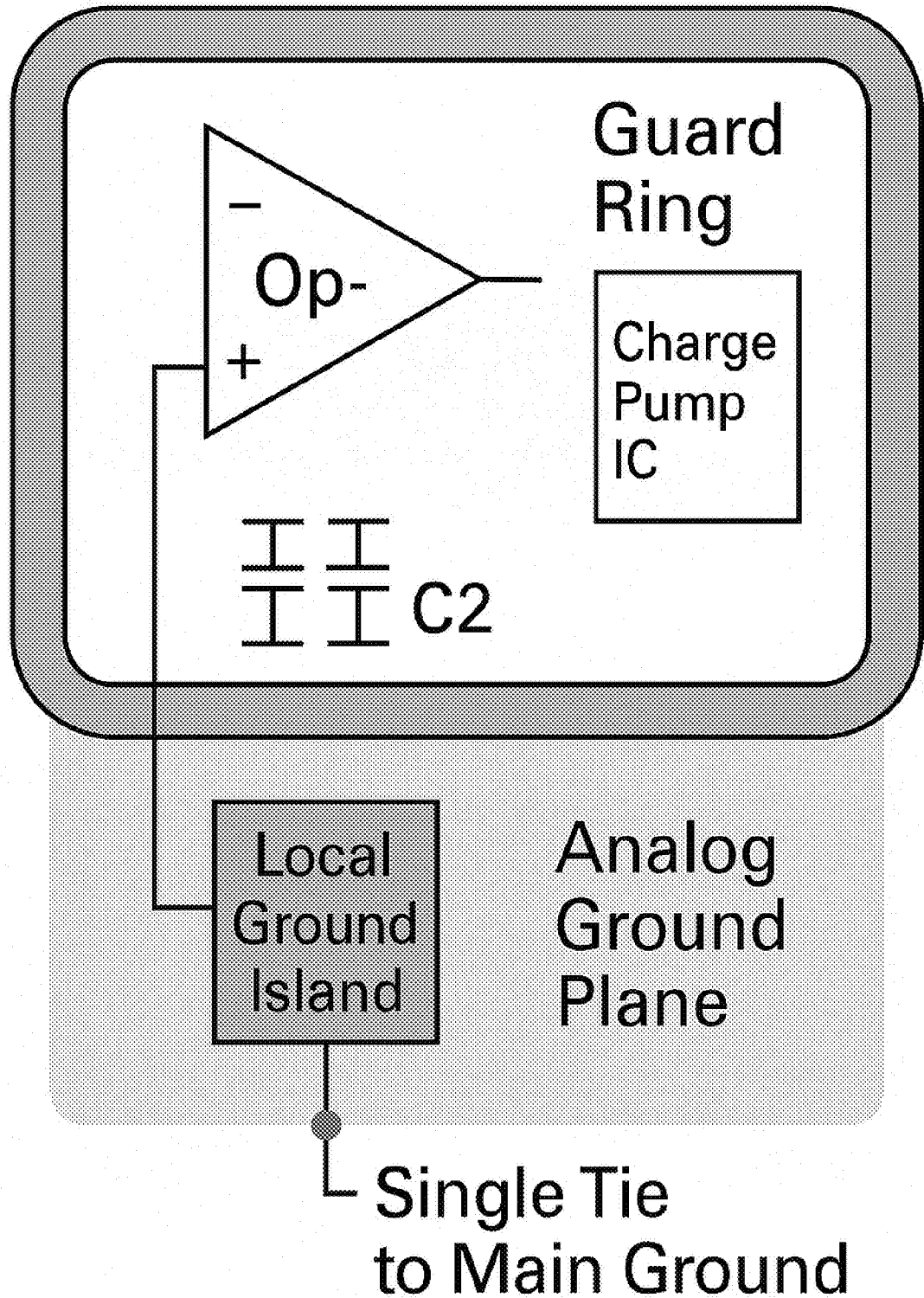


Fig. 5.2

Fig. 6.1



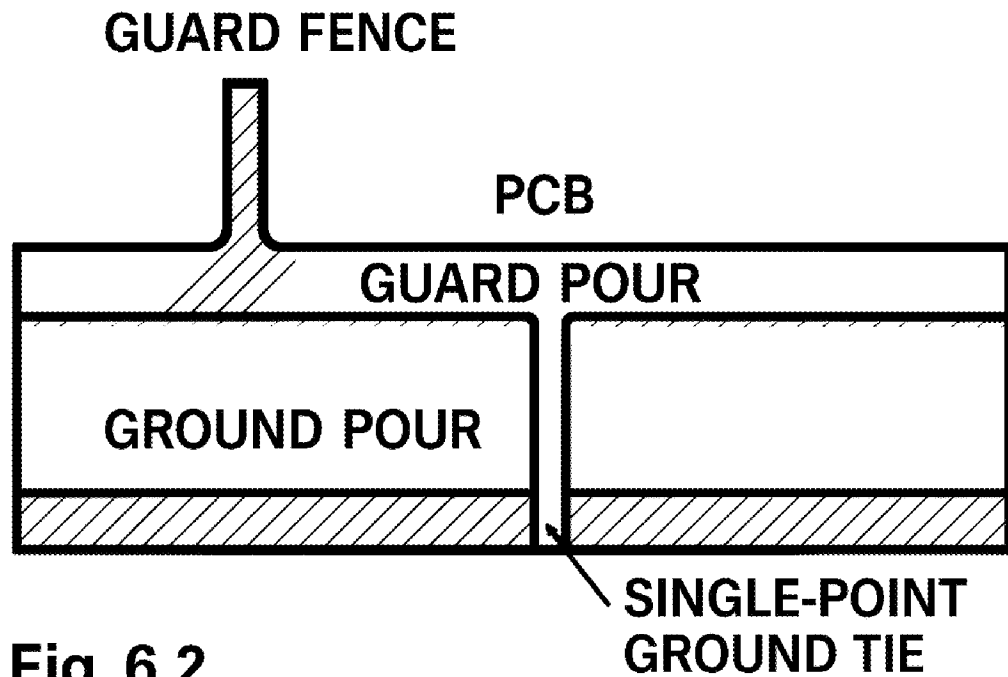


Fig. 6.2

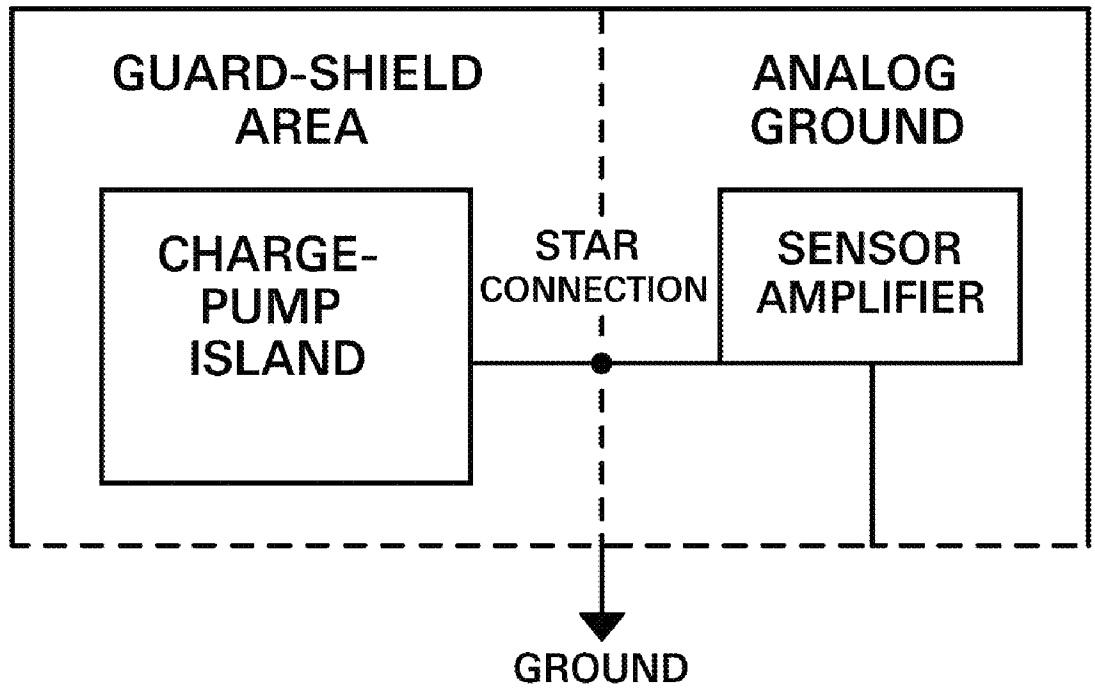


Fig. 6.3

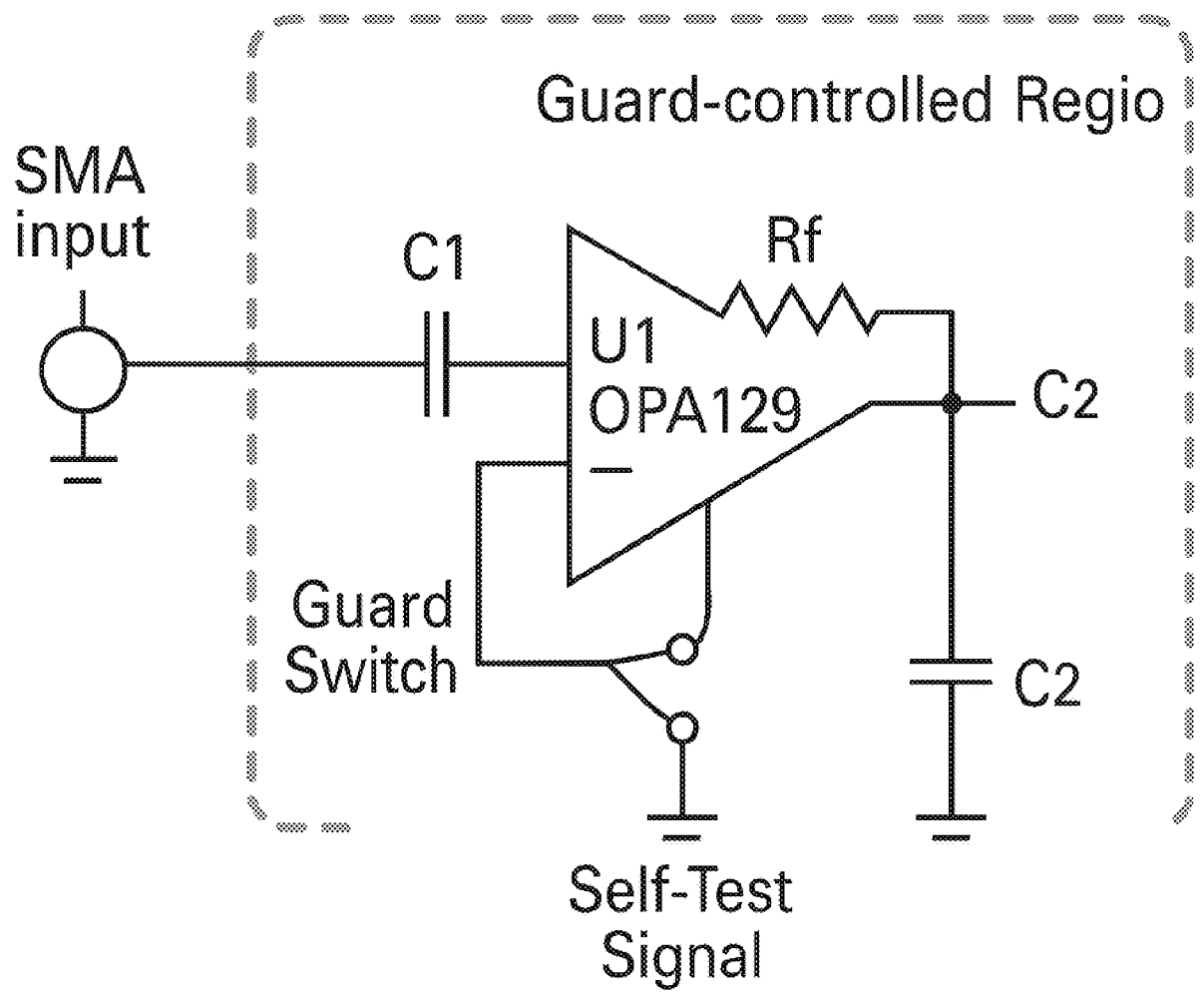


Fig. 7.1

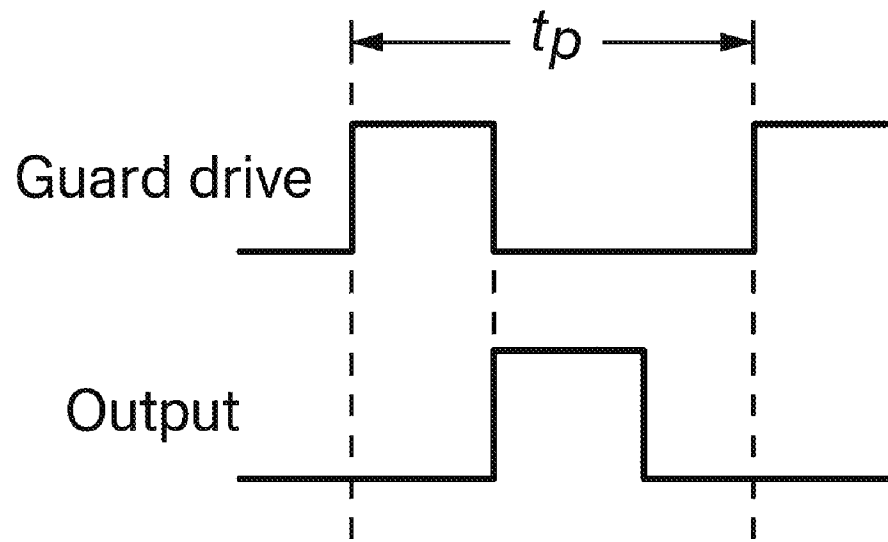


FIG. 7.2

GUARD INTEGRITY SELF-TEST ALGORITHM

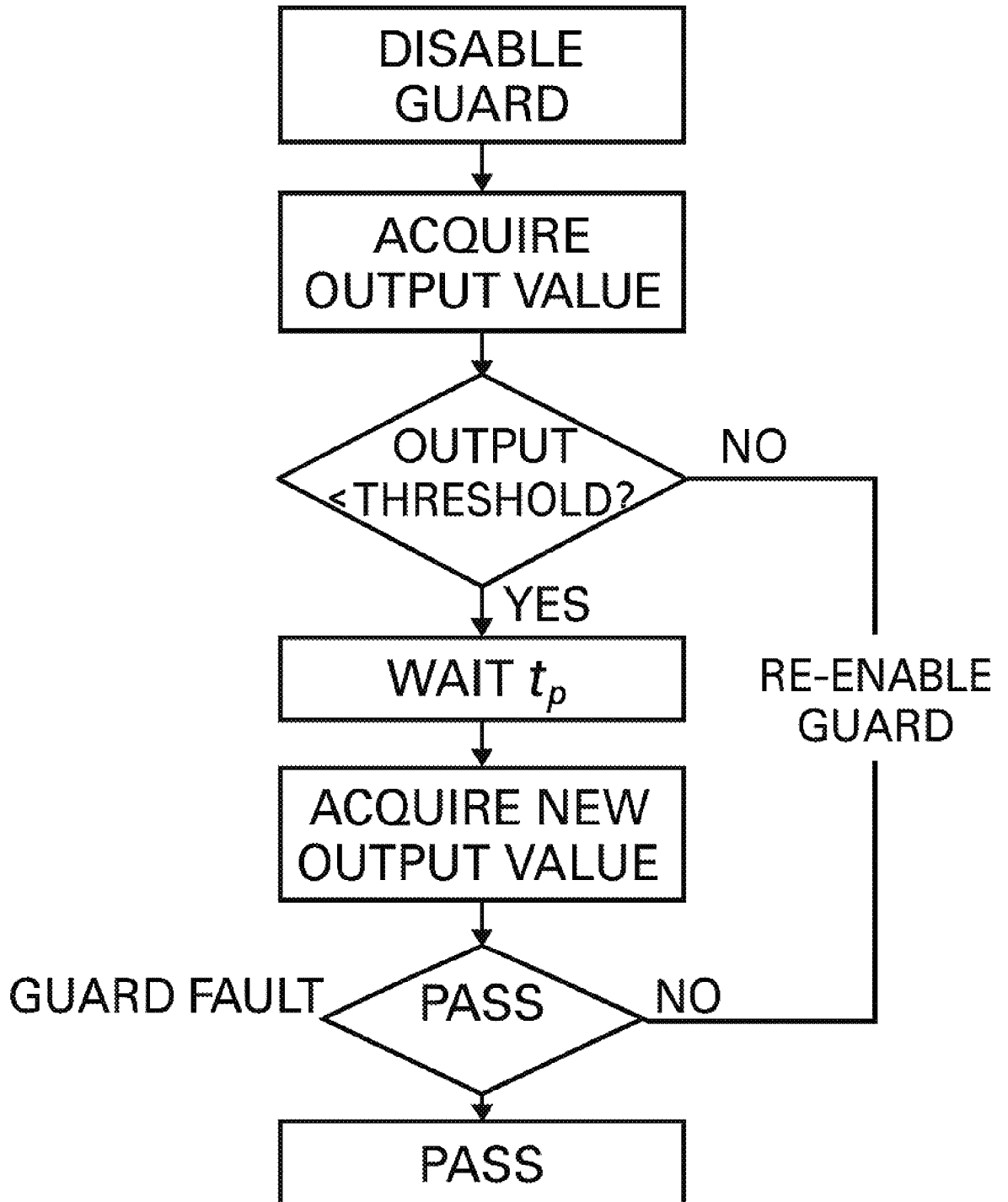


FIG. 7.3

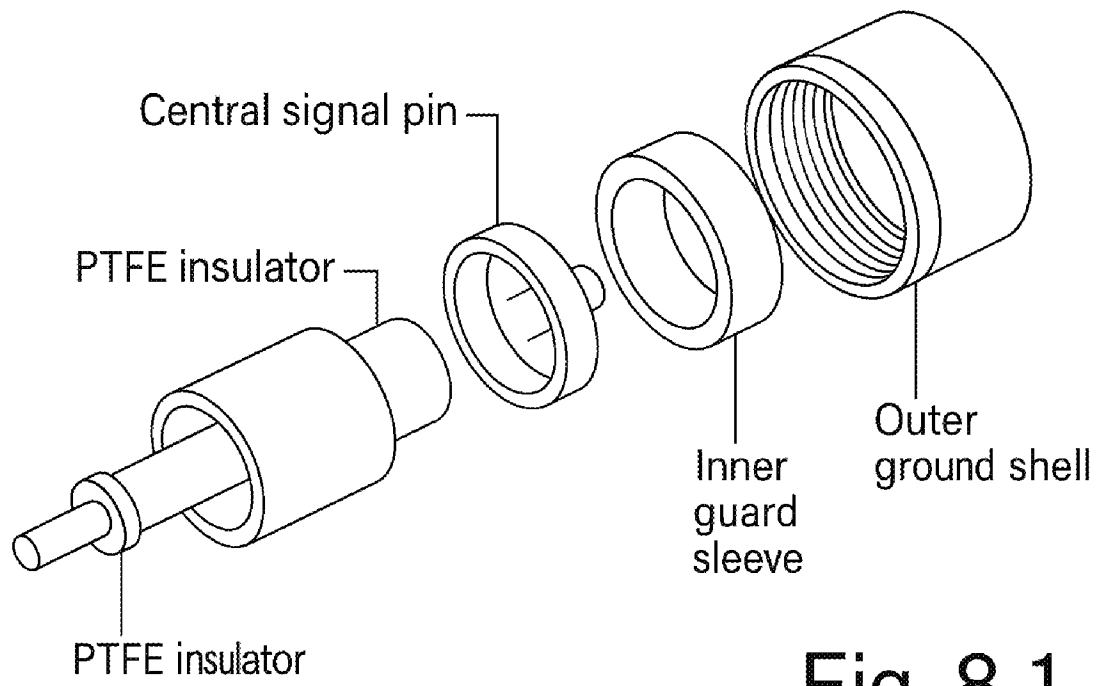


Fig. 8.1

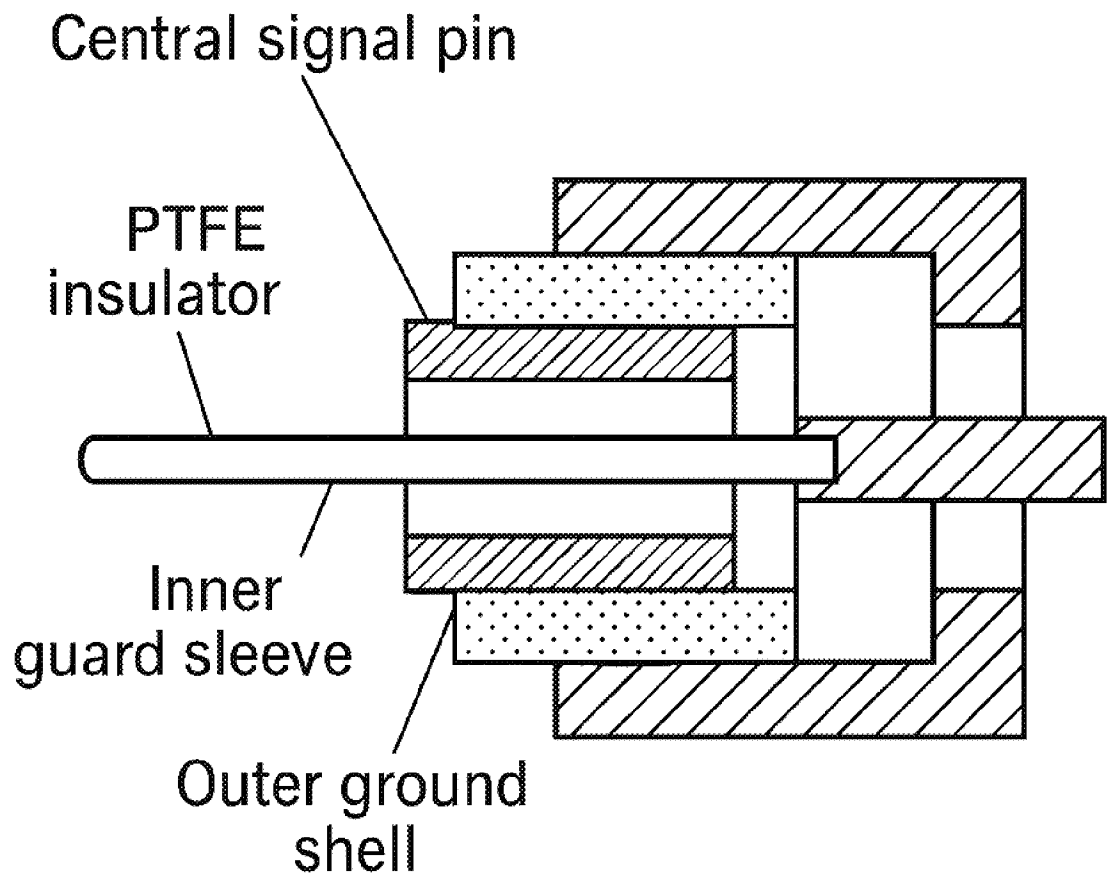


FIG. 8.2

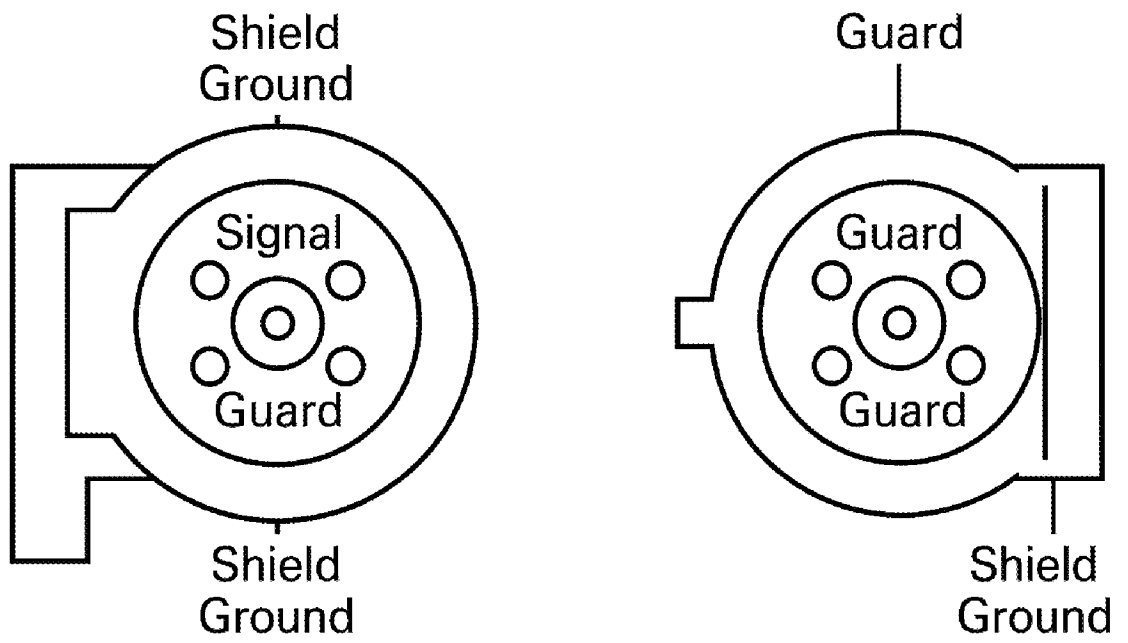


FIG. 8.3