

Figures

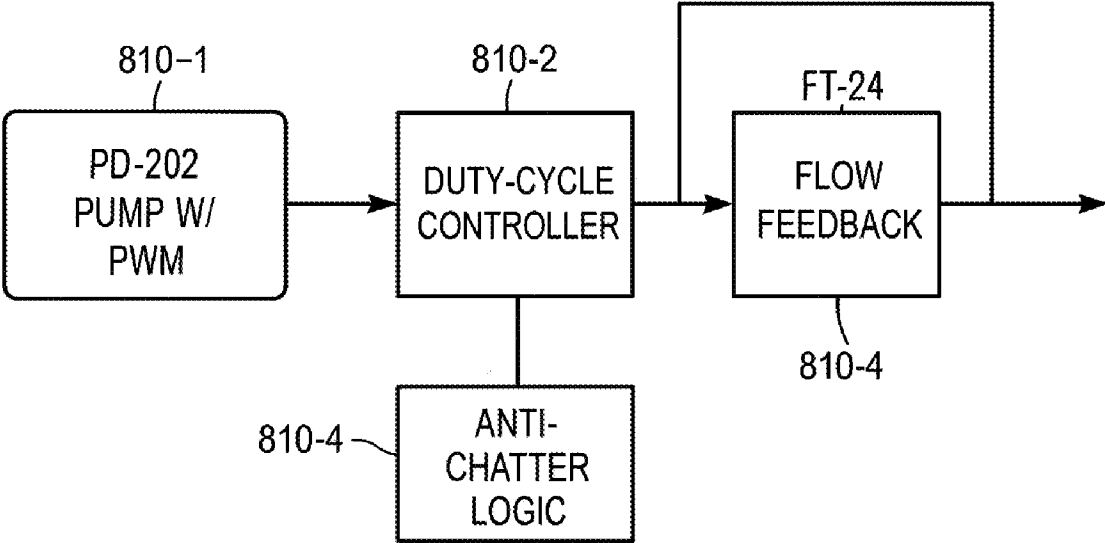


FIG. 800

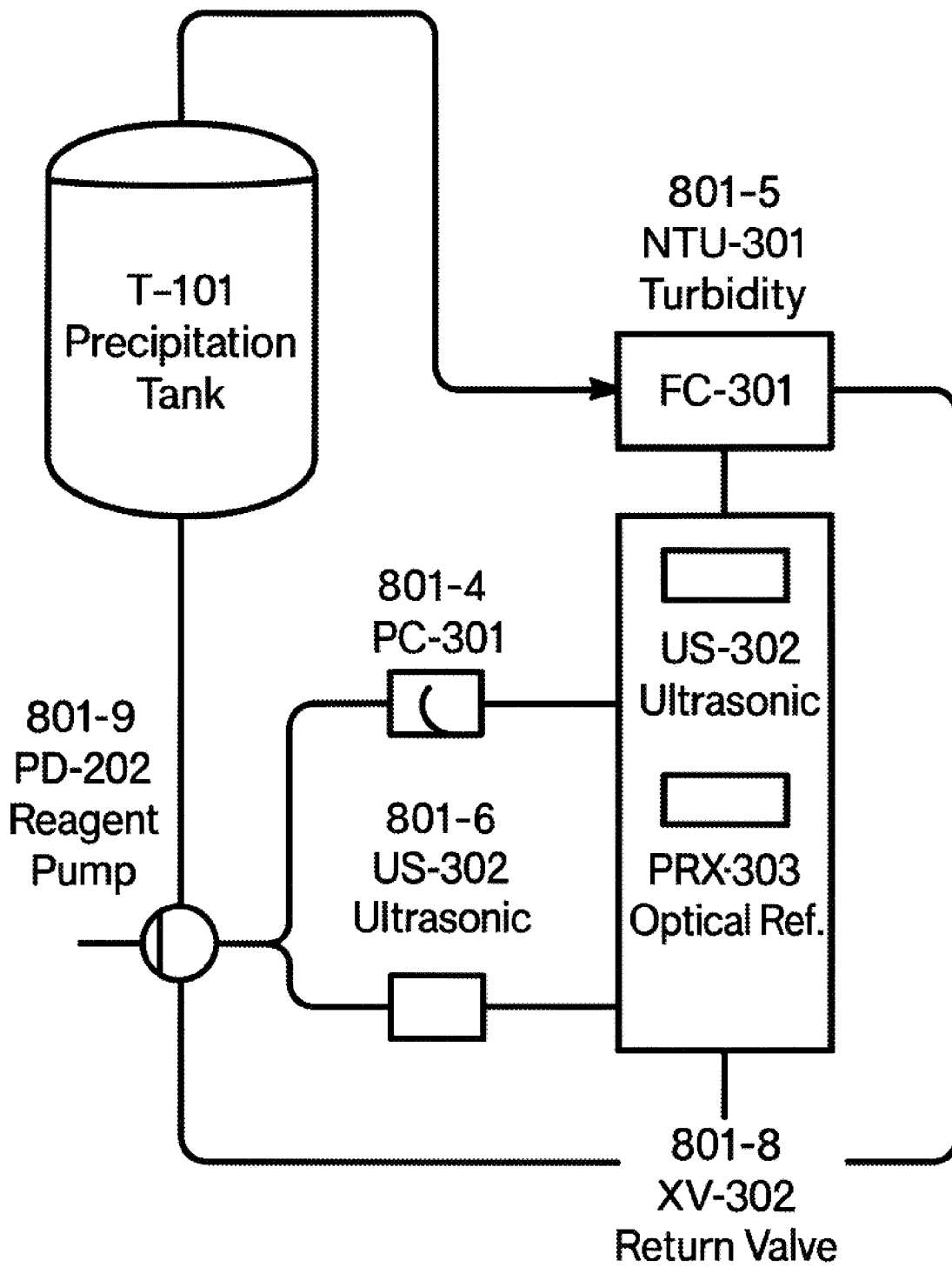


FIG. 801

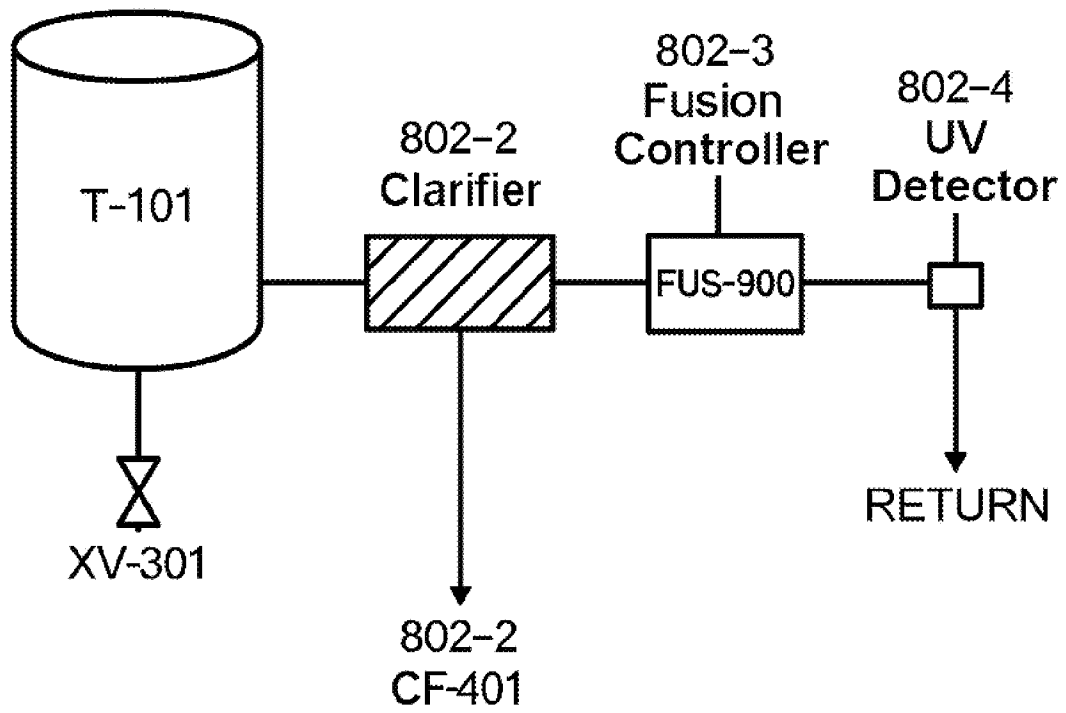
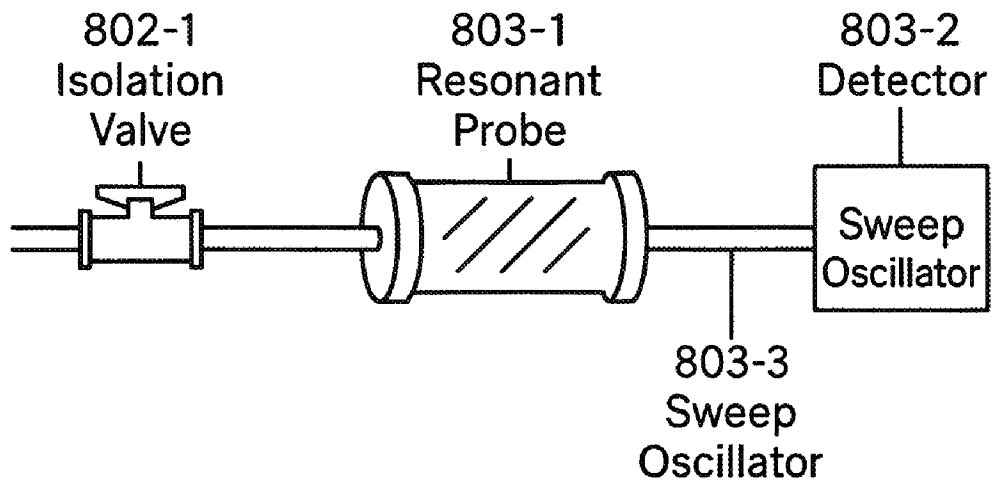


FIG. 802

FIG. 803

Inline Acoustic-Resonance Probe



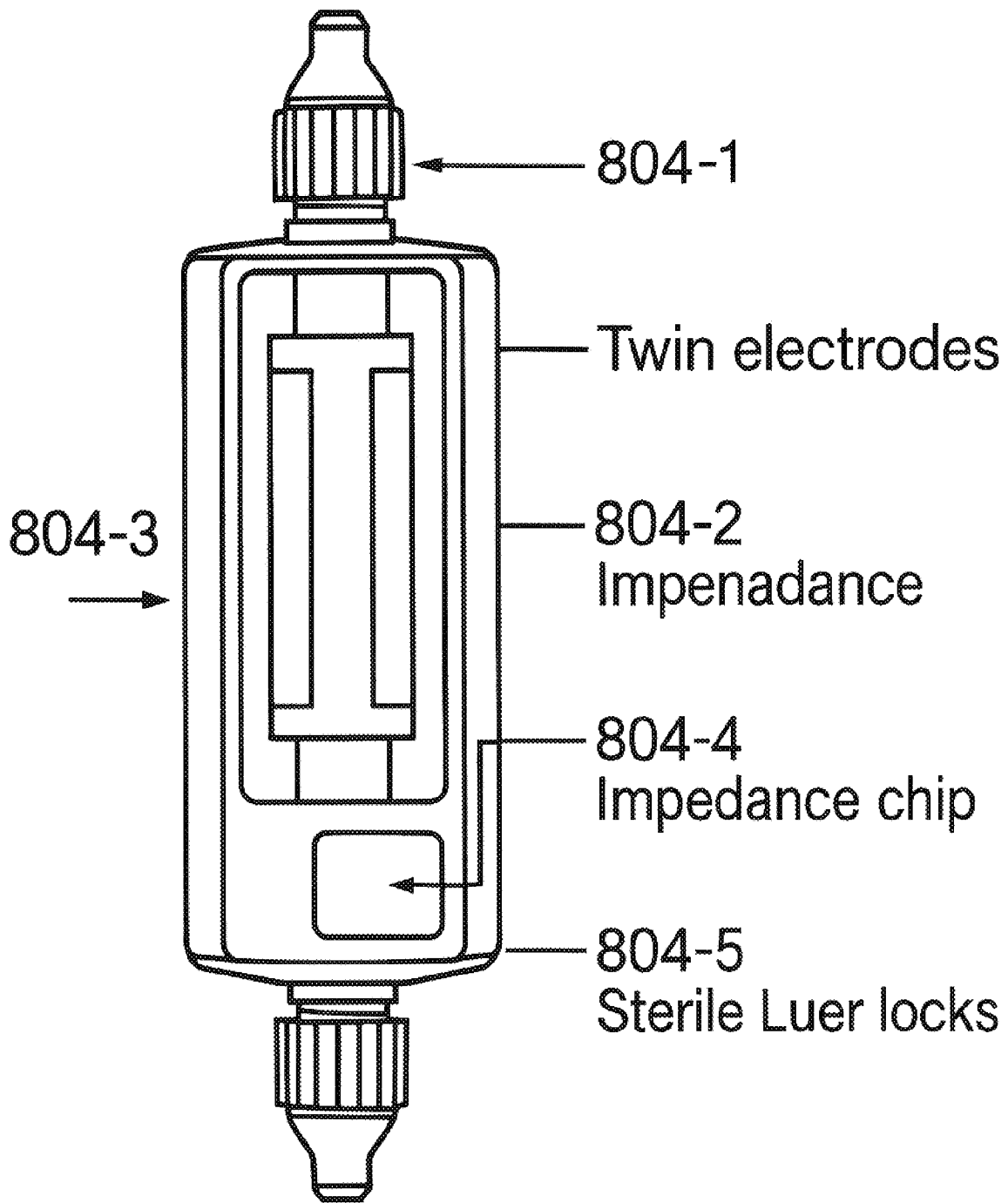


FIG. 803

Inline Dielectric Spectroscopy Cartridge

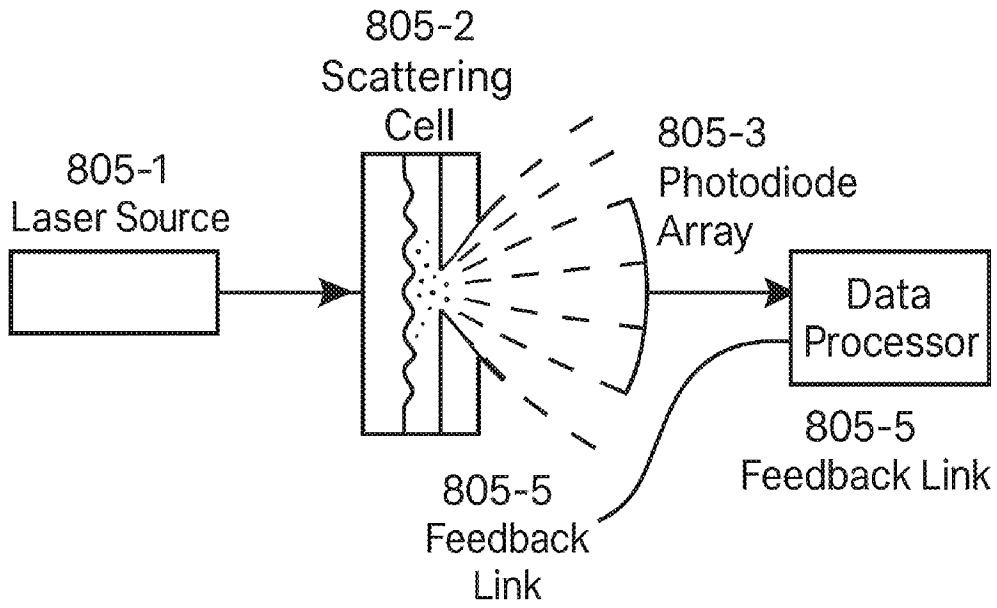


FIG. 805

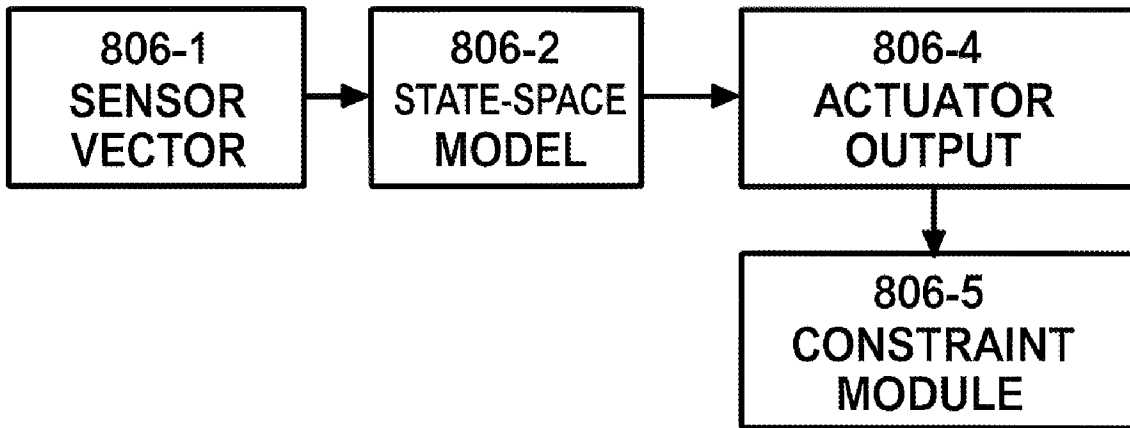


FIG. 806

Rule-Based Adaptive Recipe

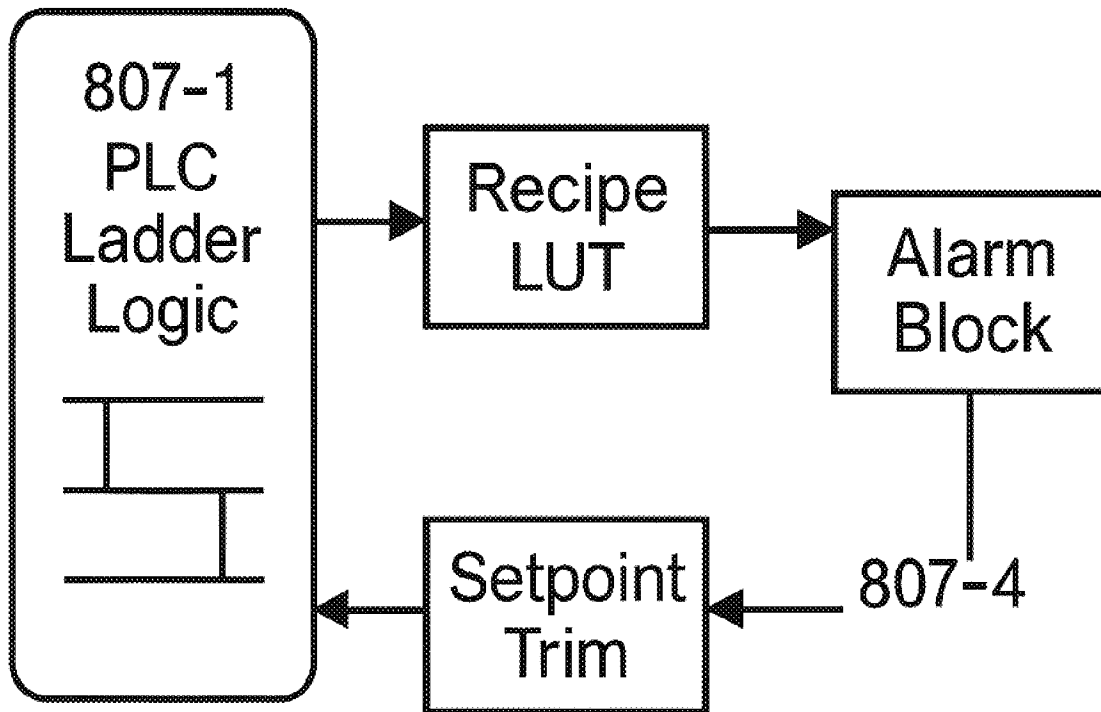


FIG. 807

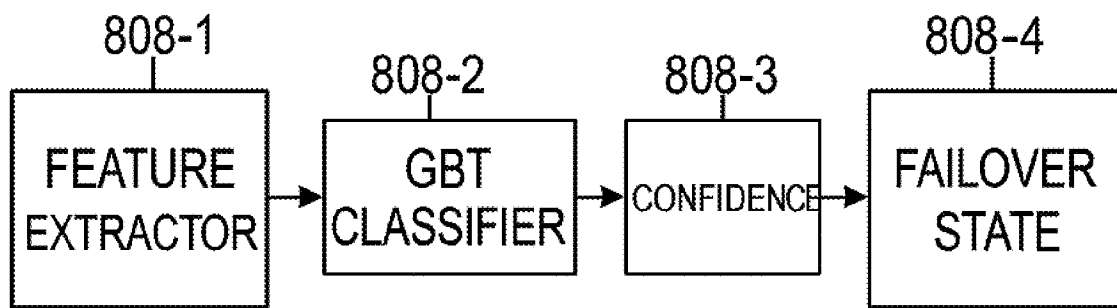


FIG. 808

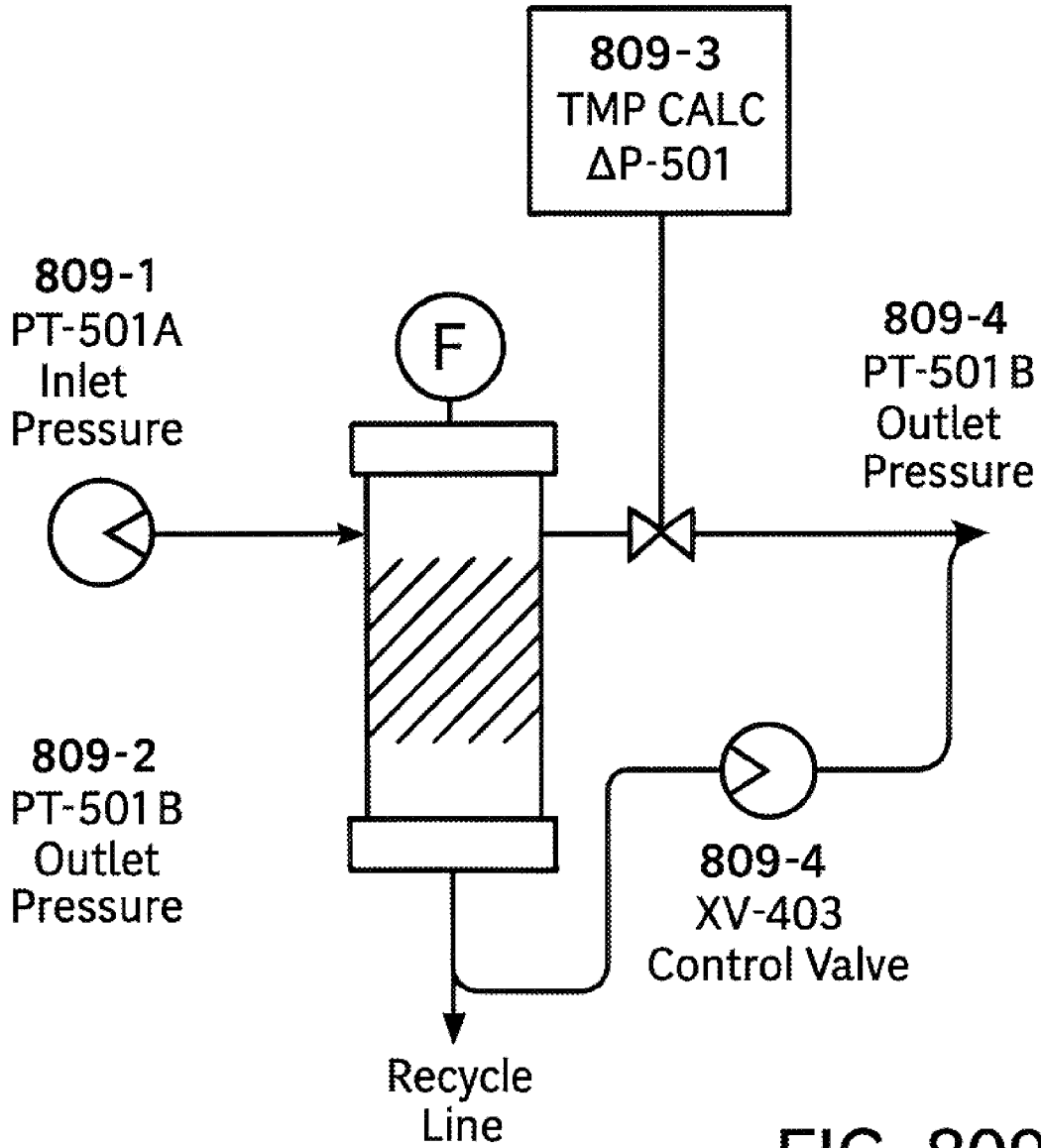


FIG. 809

FIG. 810
PWM Dosing

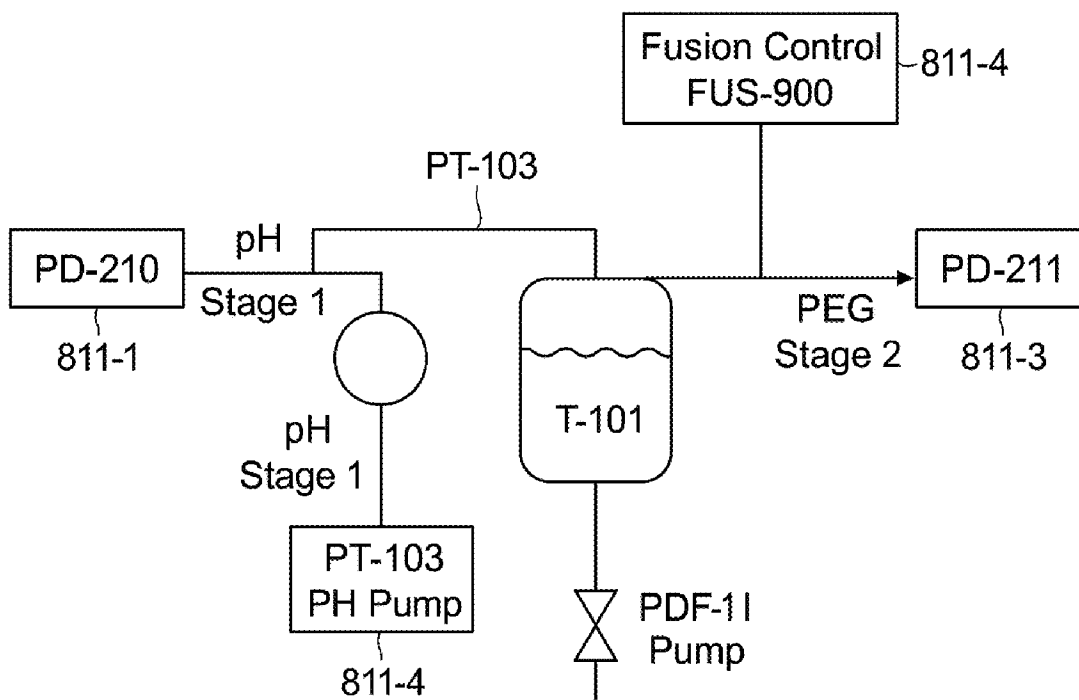
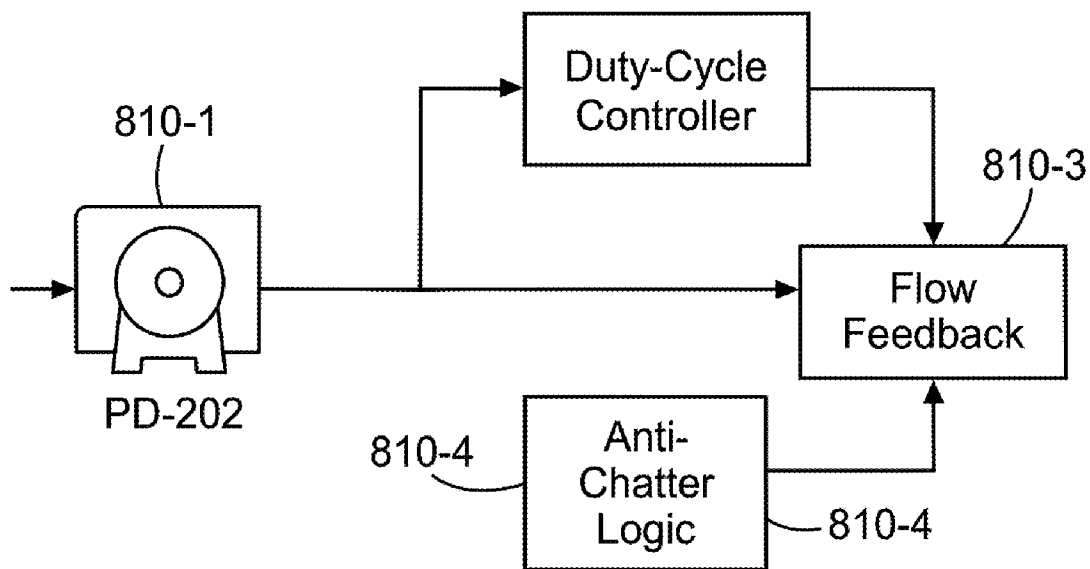
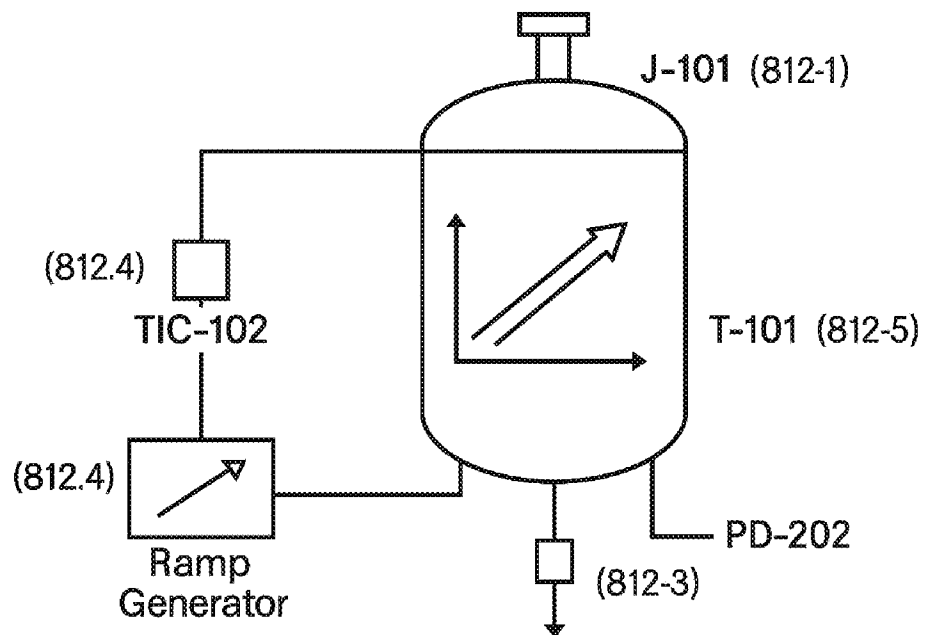


FIG. 811

FIG. 812



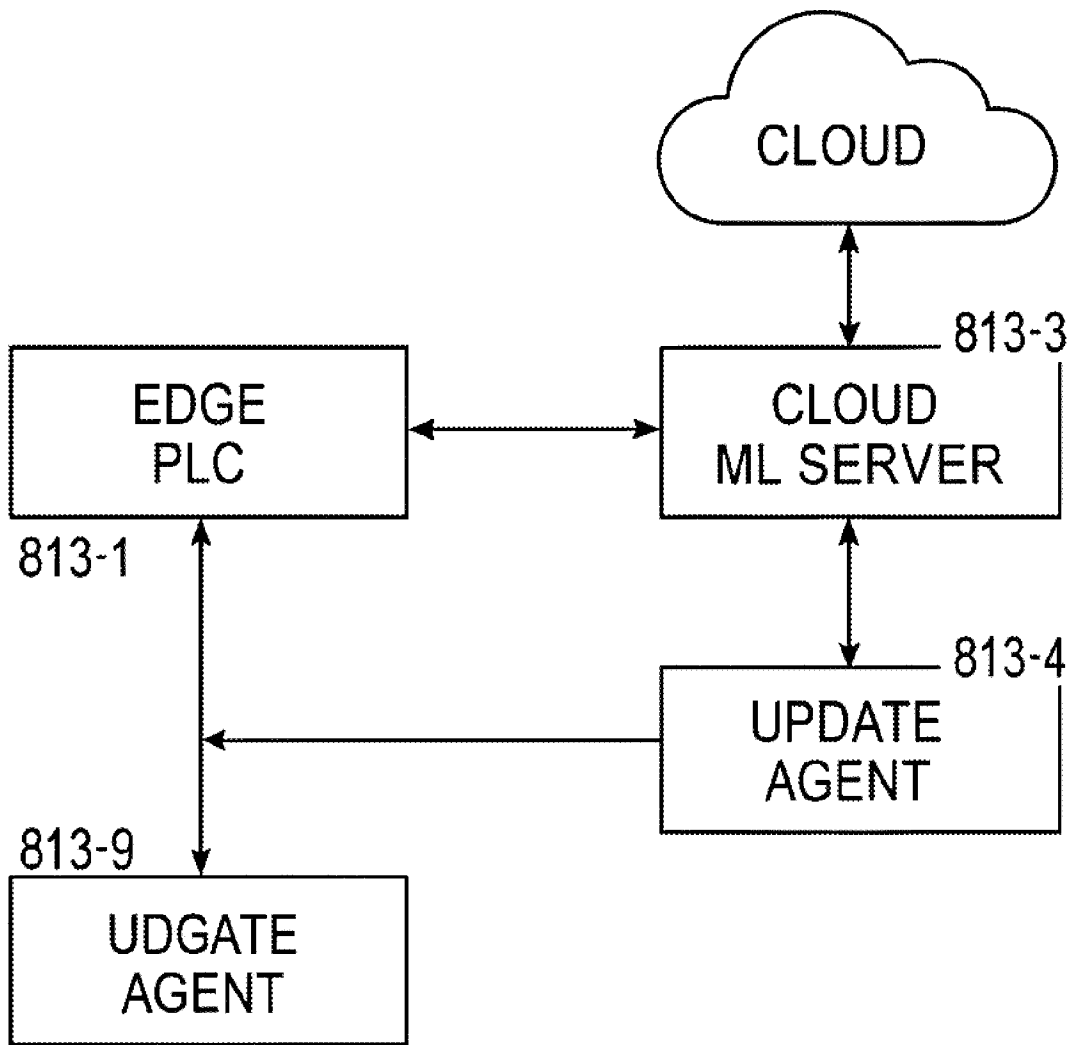


FIG. 813

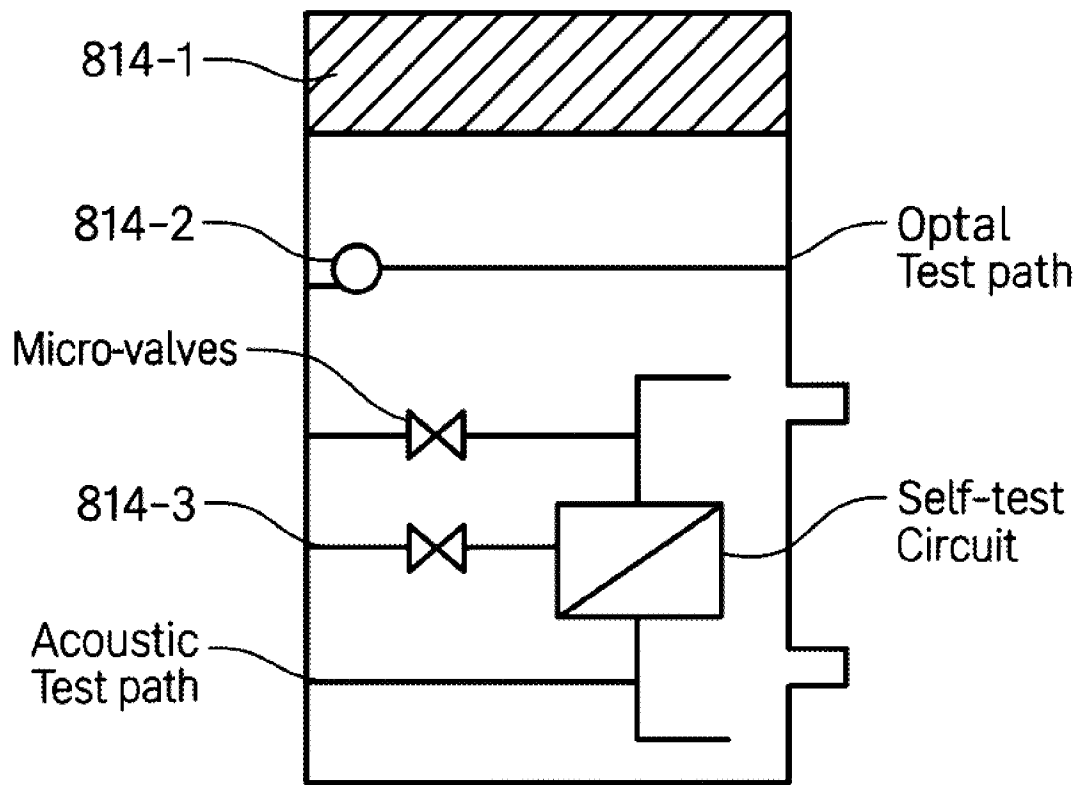


FIG. 814