

# Figures

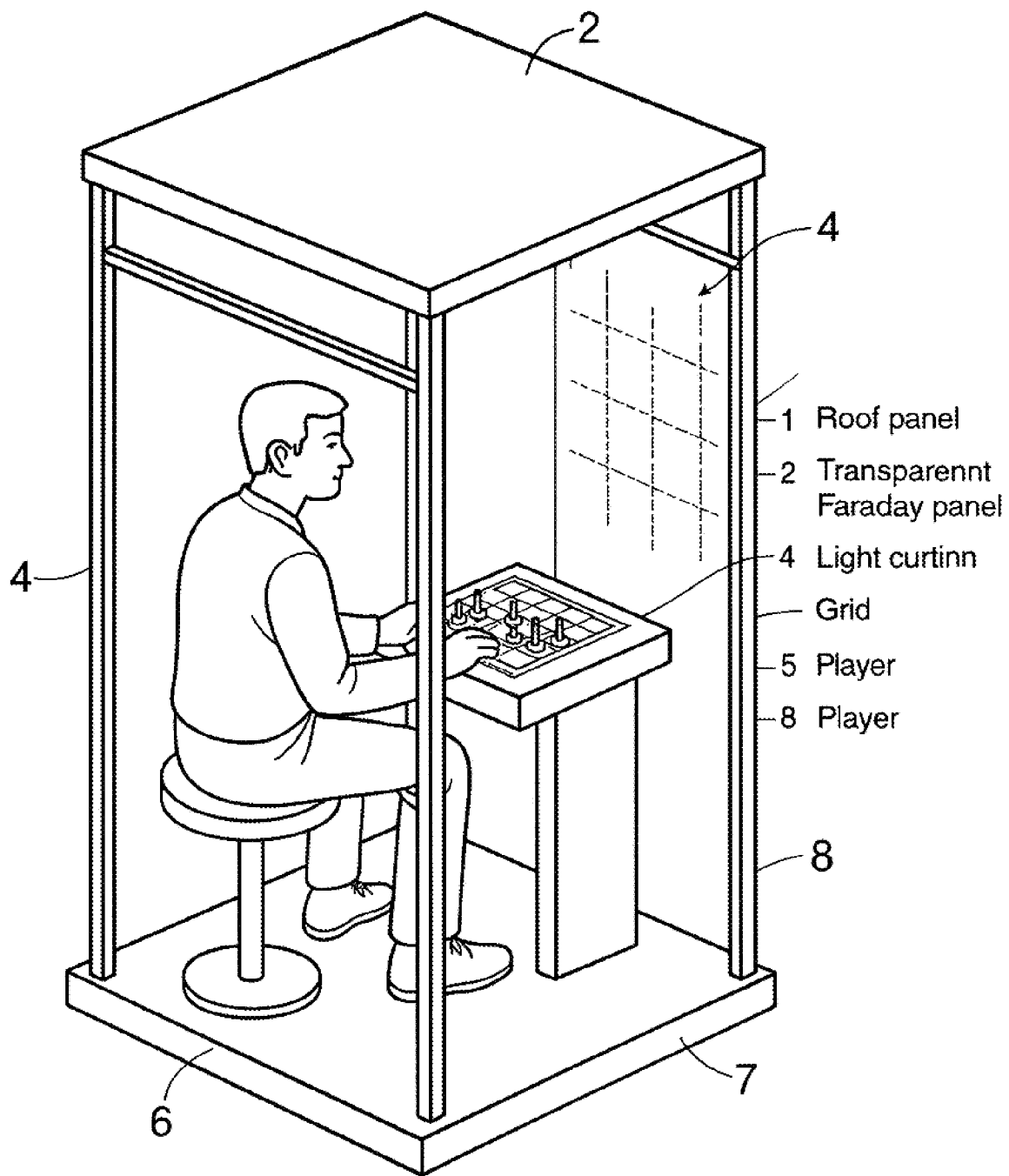


FIG. 1

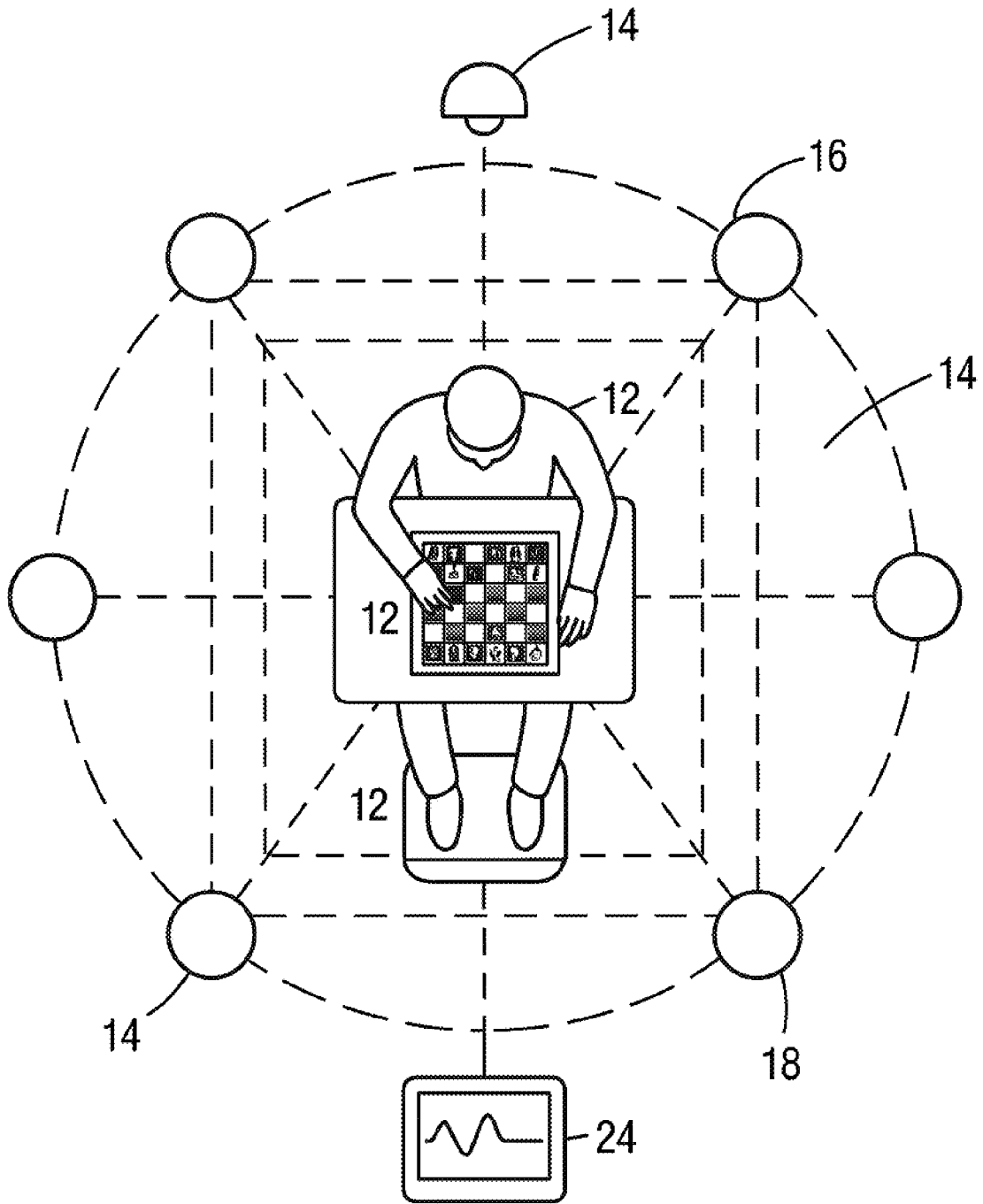


FIG. 2

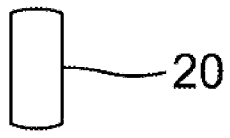
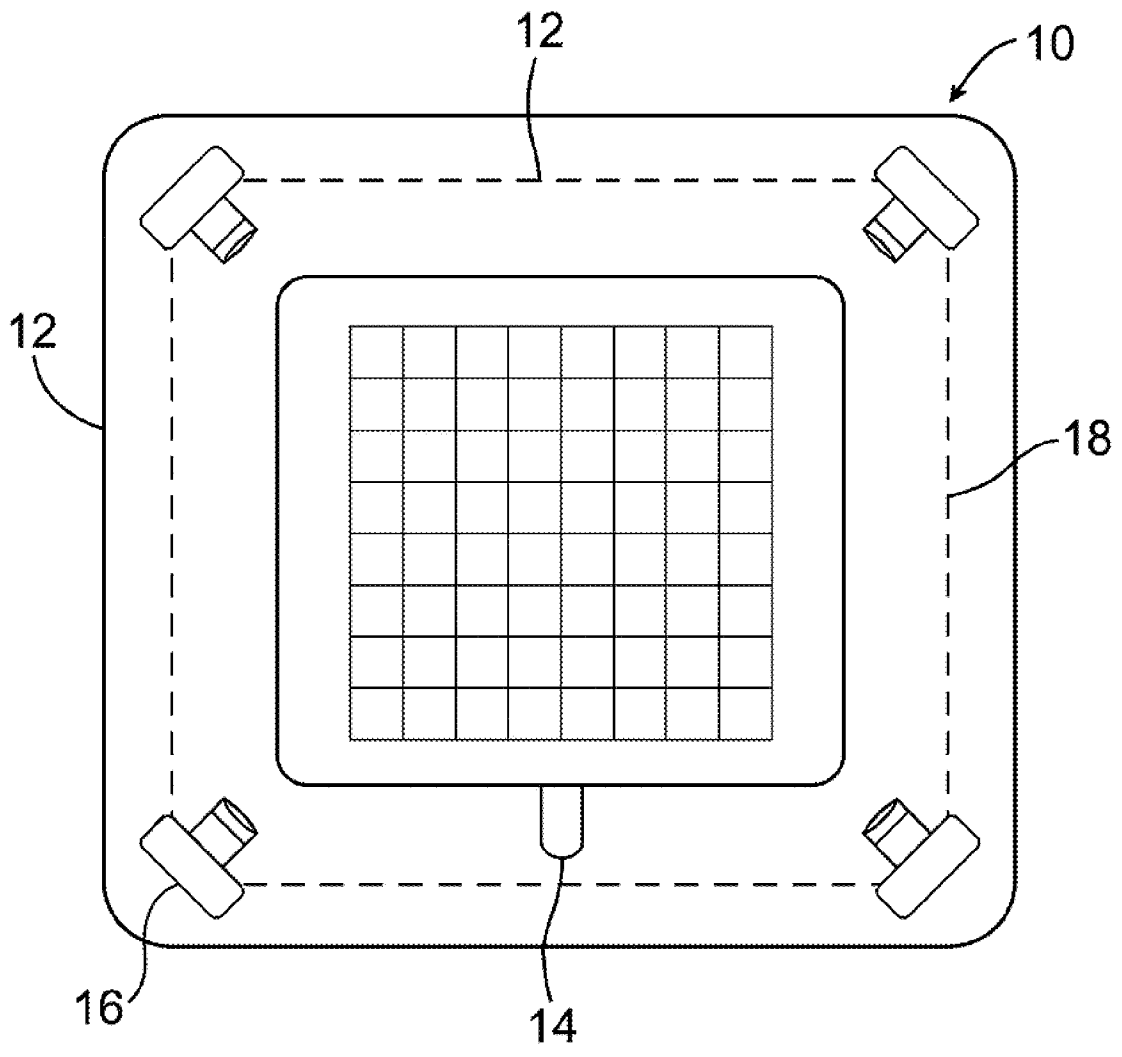


FIG. 2



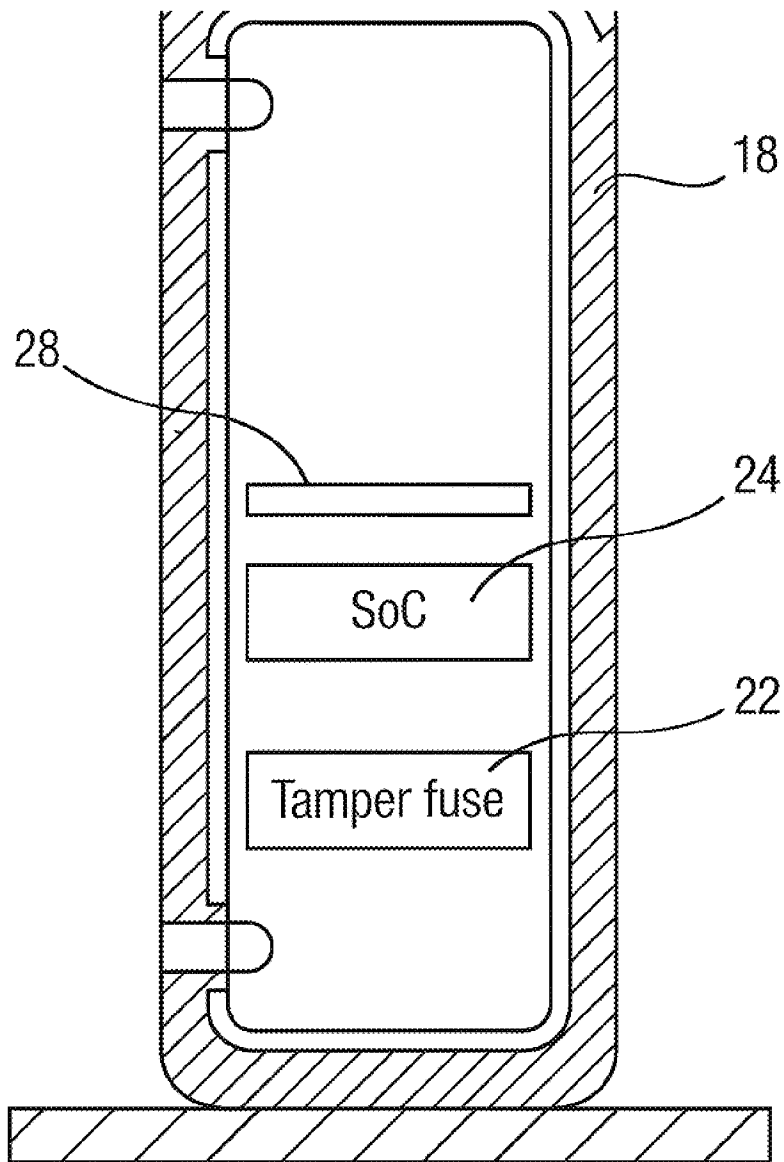


FIG. 3

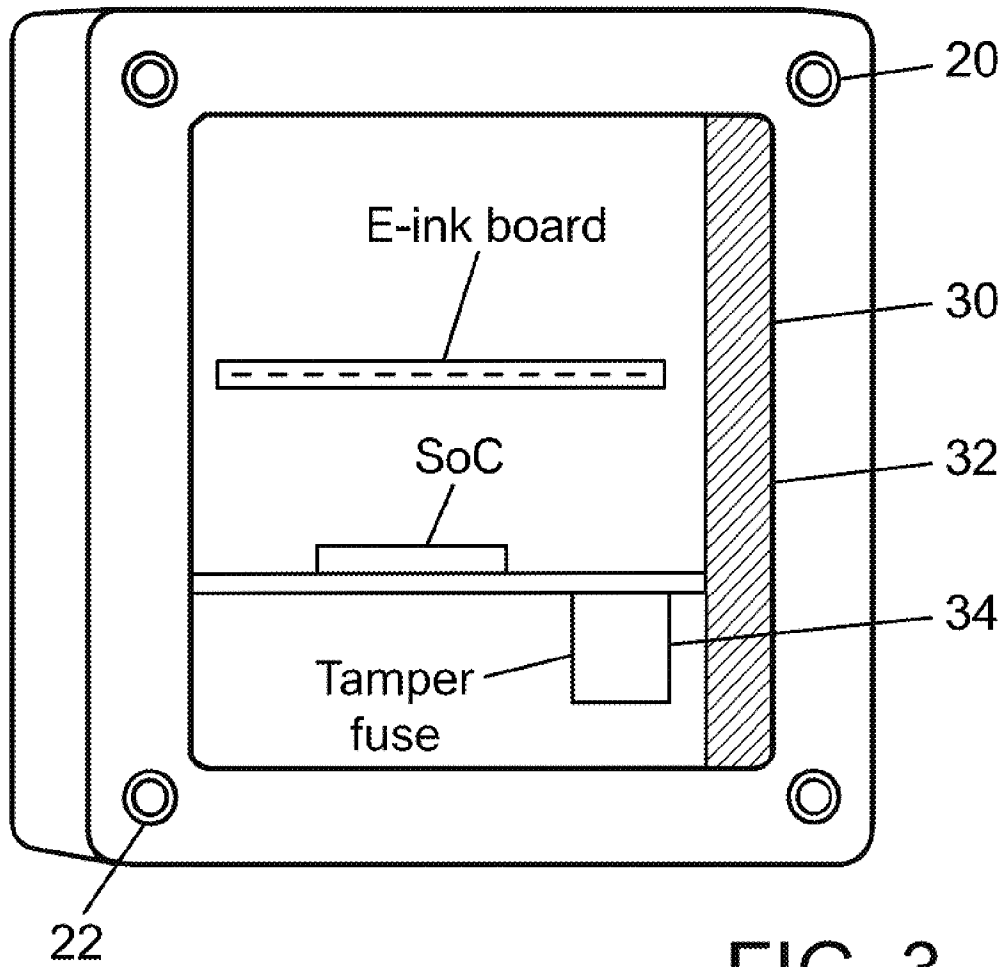


FIG. 3

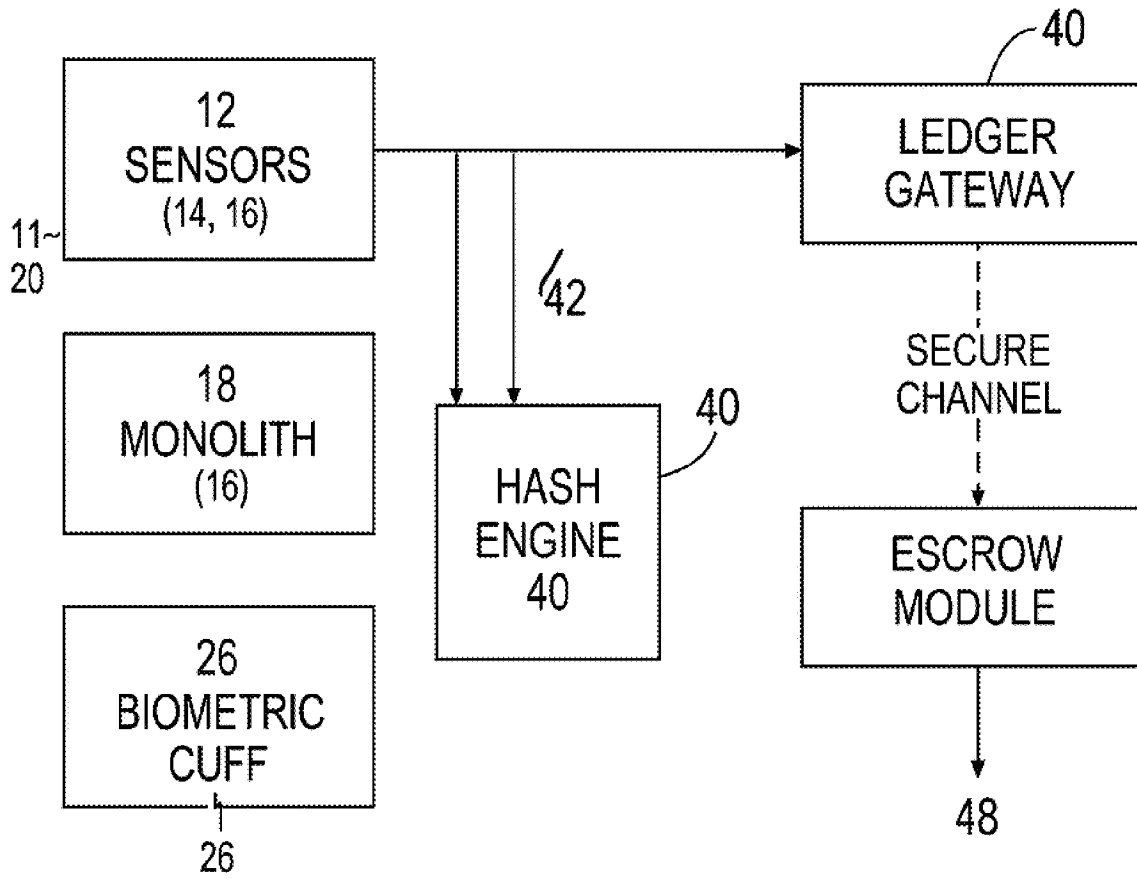
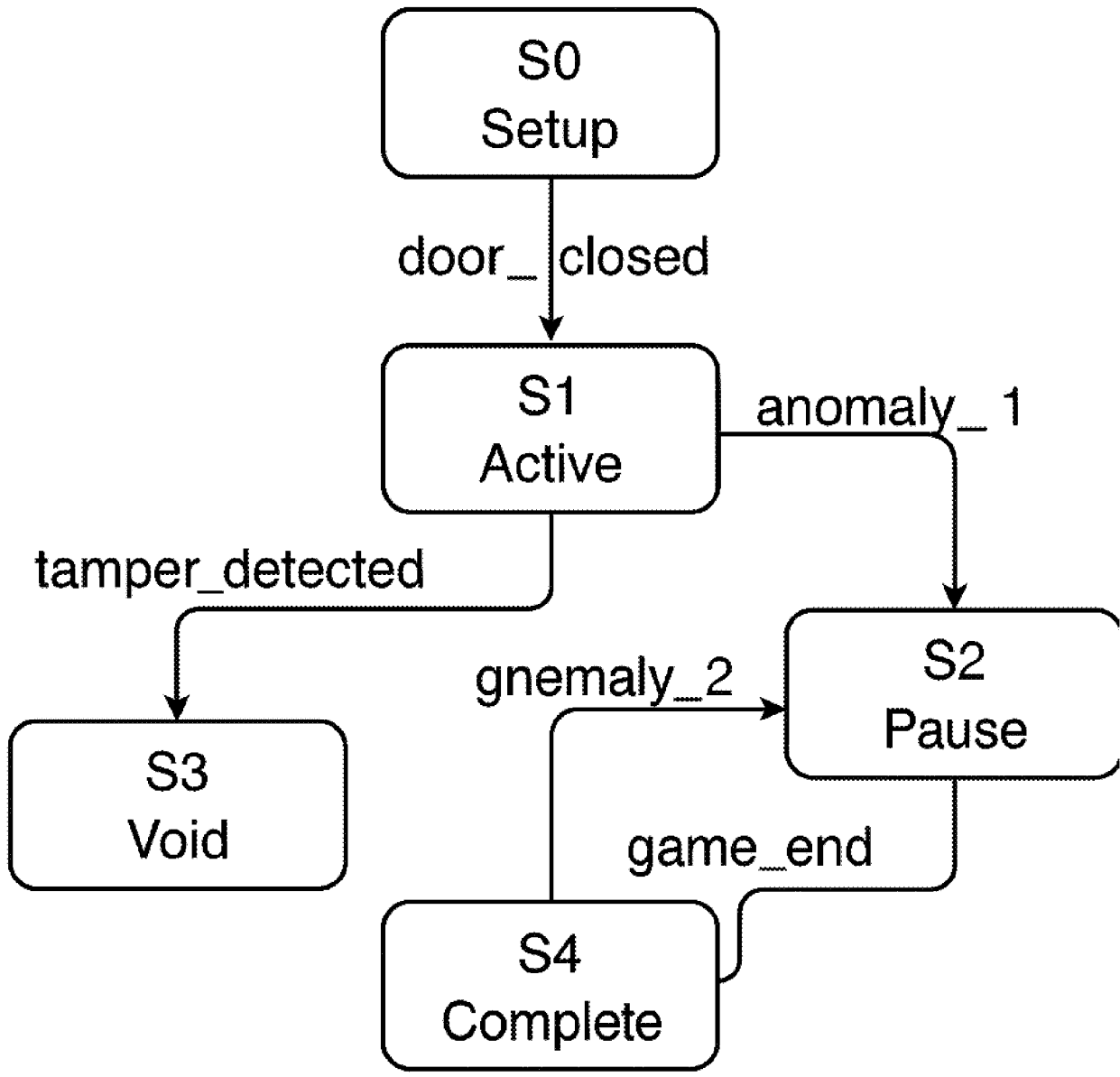


FIG. 4



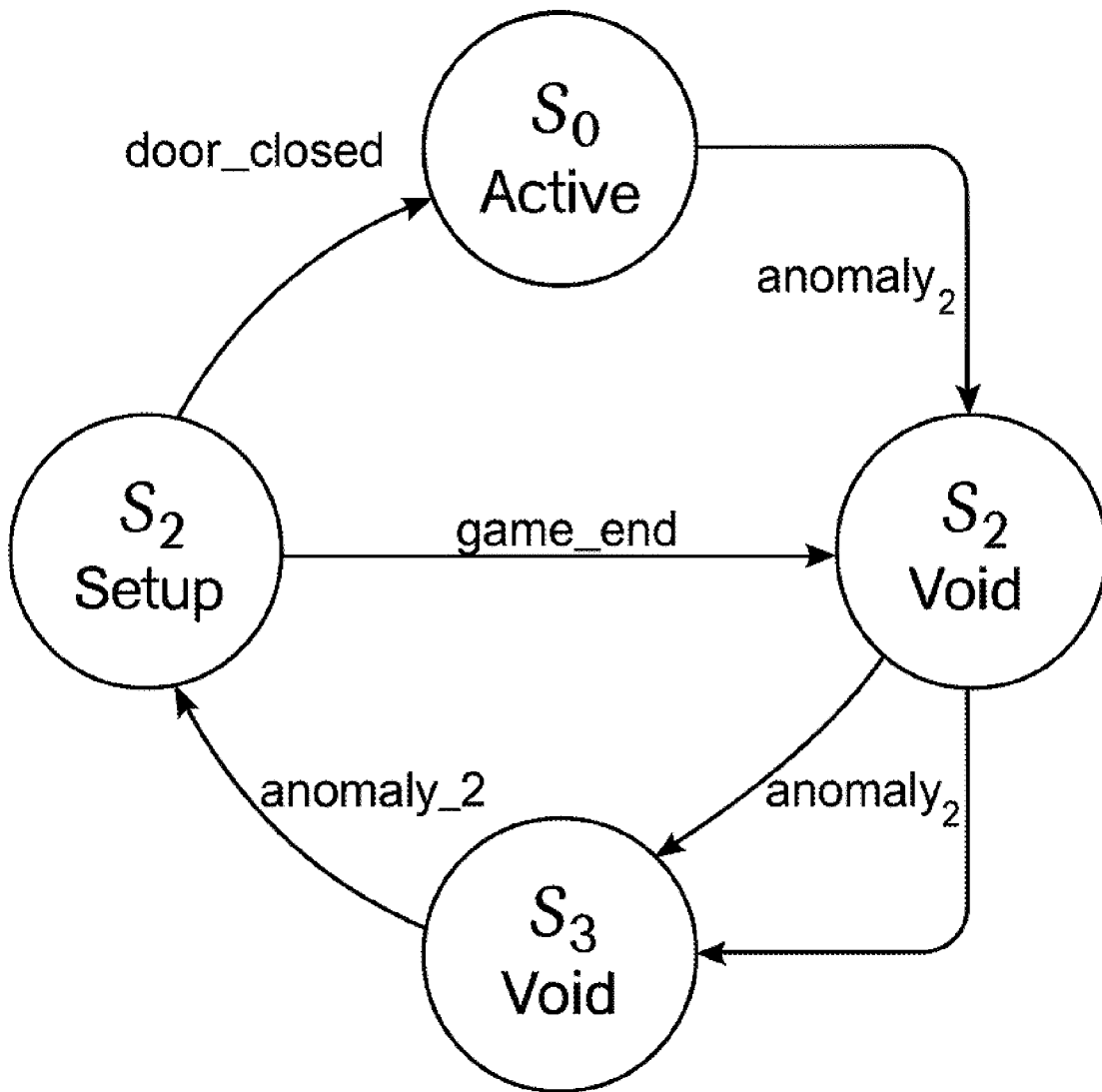


FIG 5.

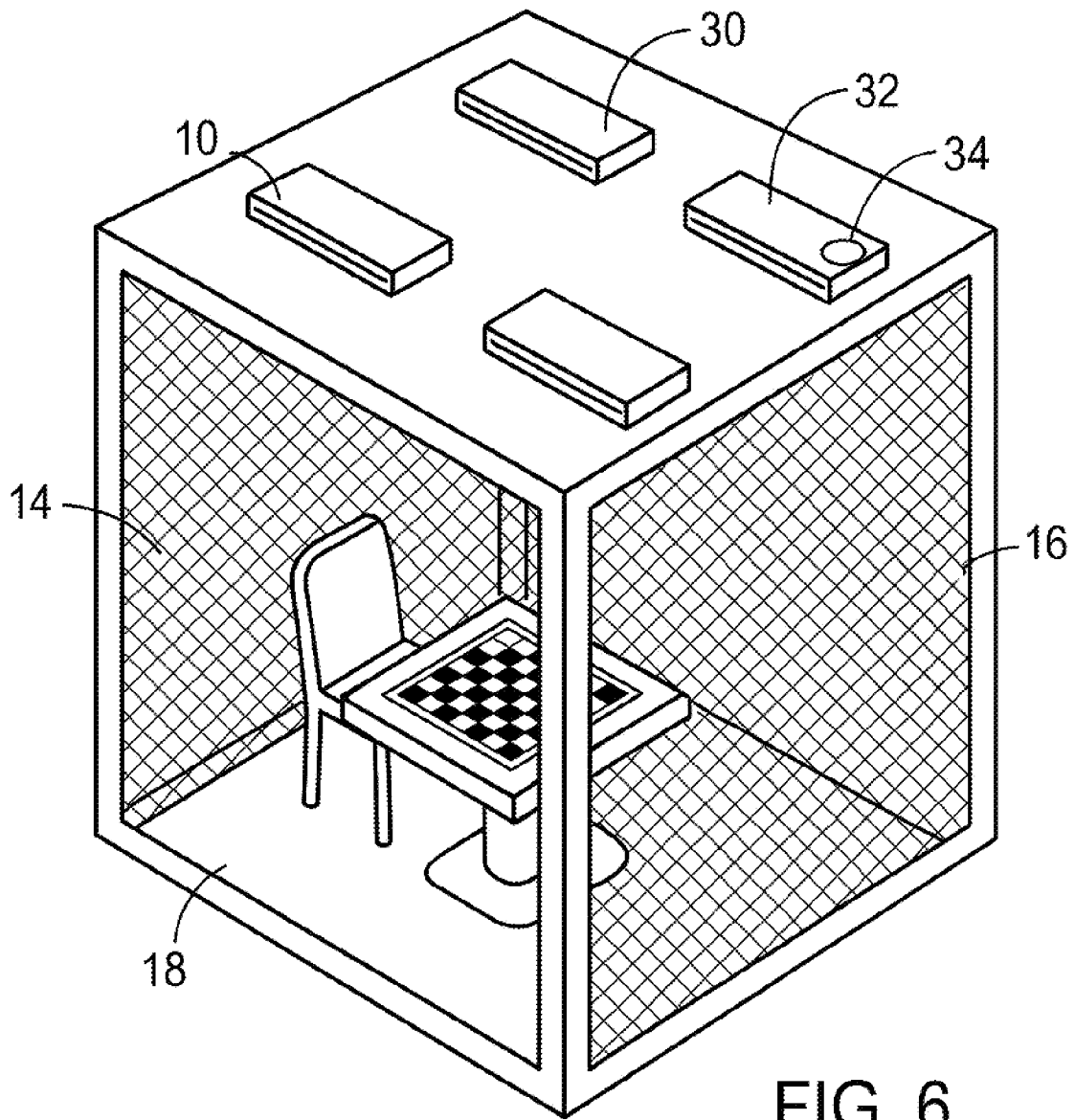


FIG. 6

- 10 Faraday cage
- 12 Ventilation
- 30 Ventilation duct
- 34 Waveguide beyond cutoff

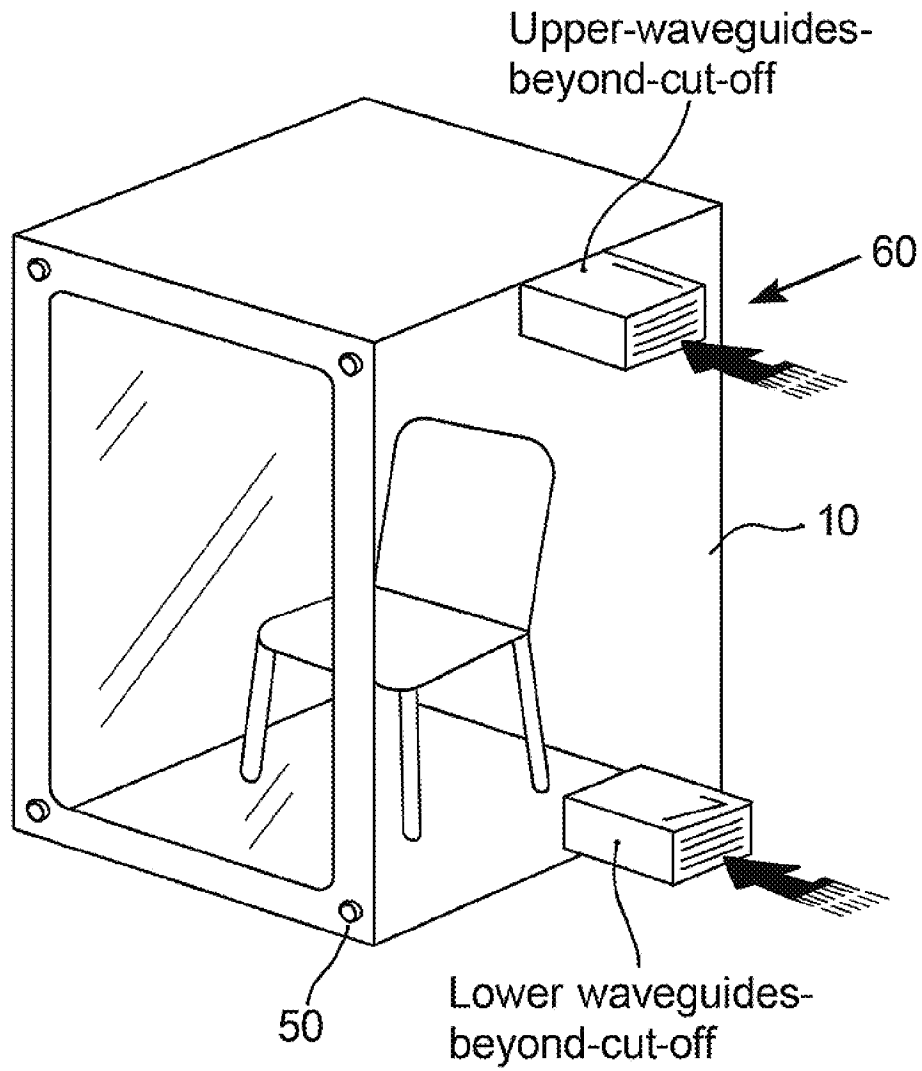


FIG. 6

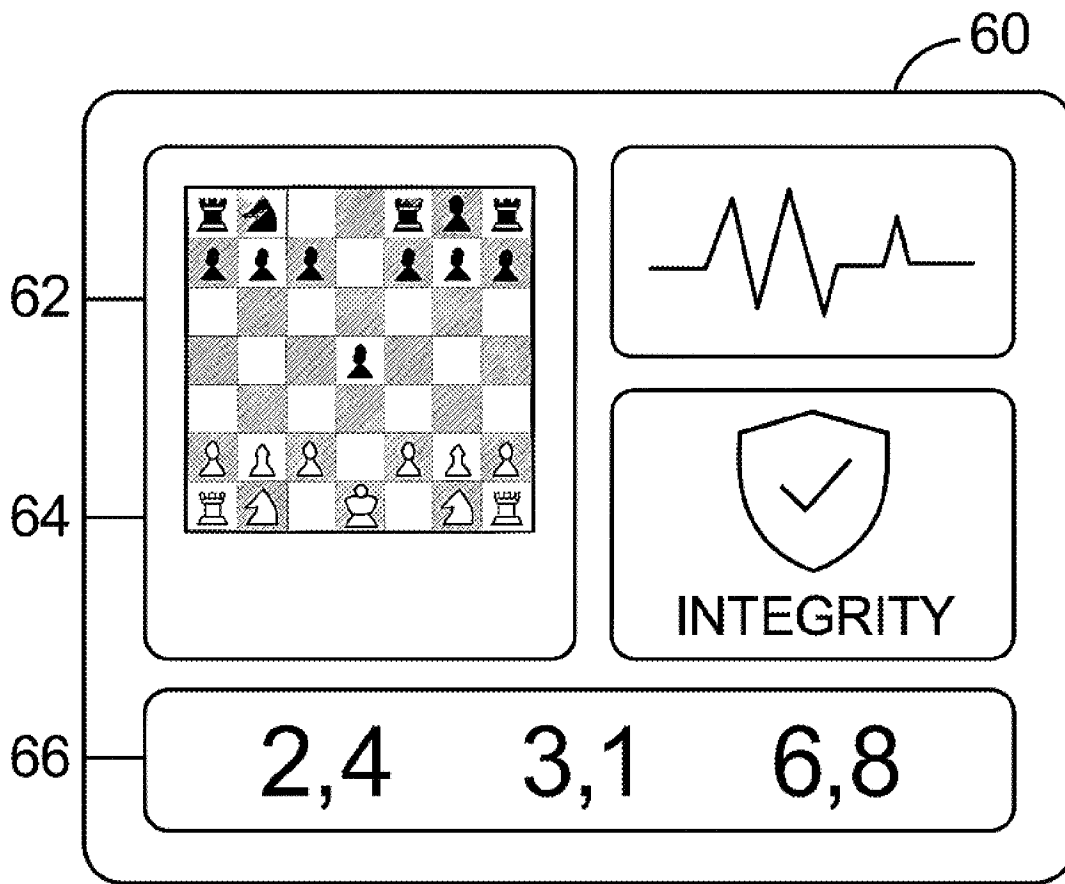


FIG. 7

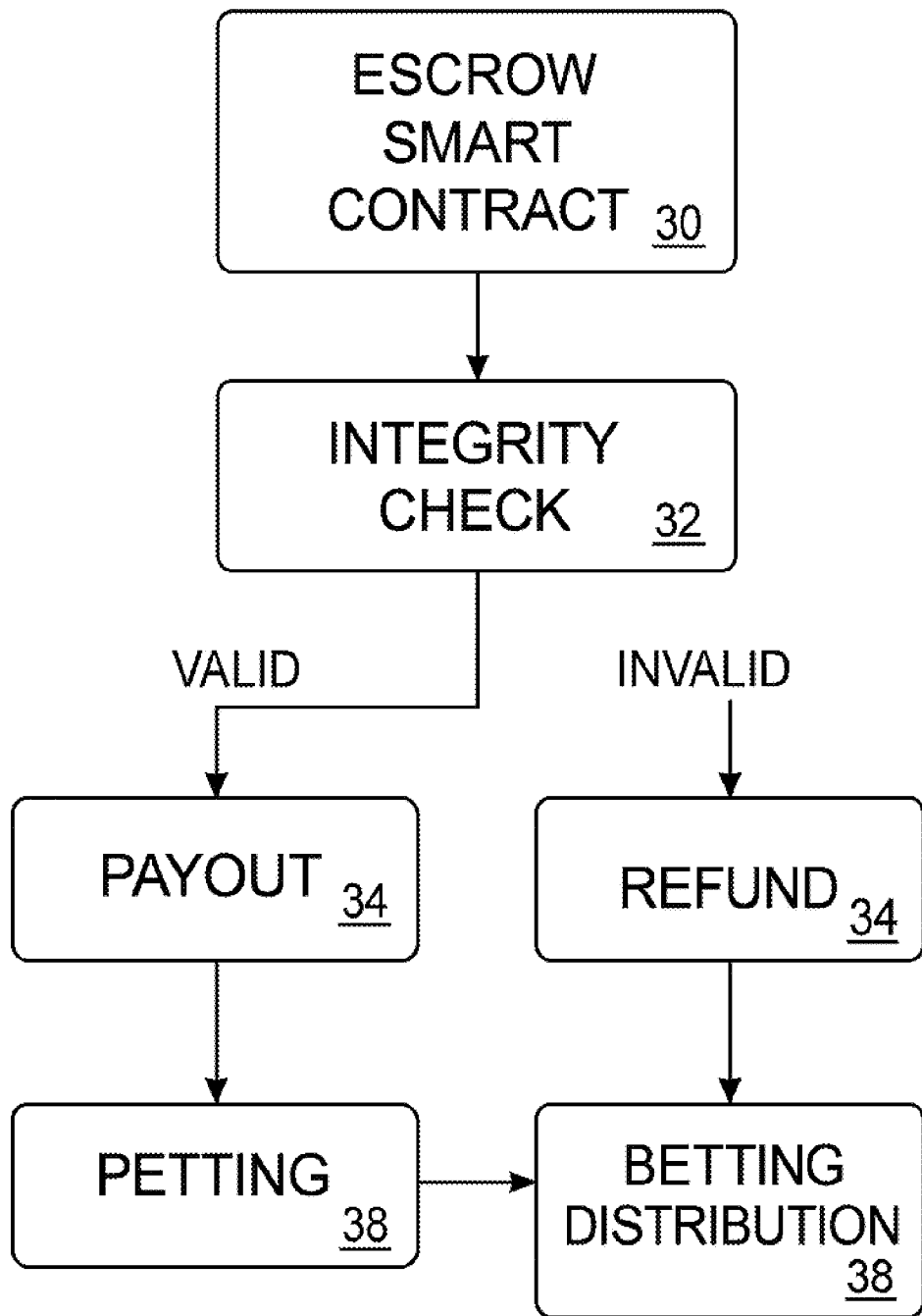


FIG. 8



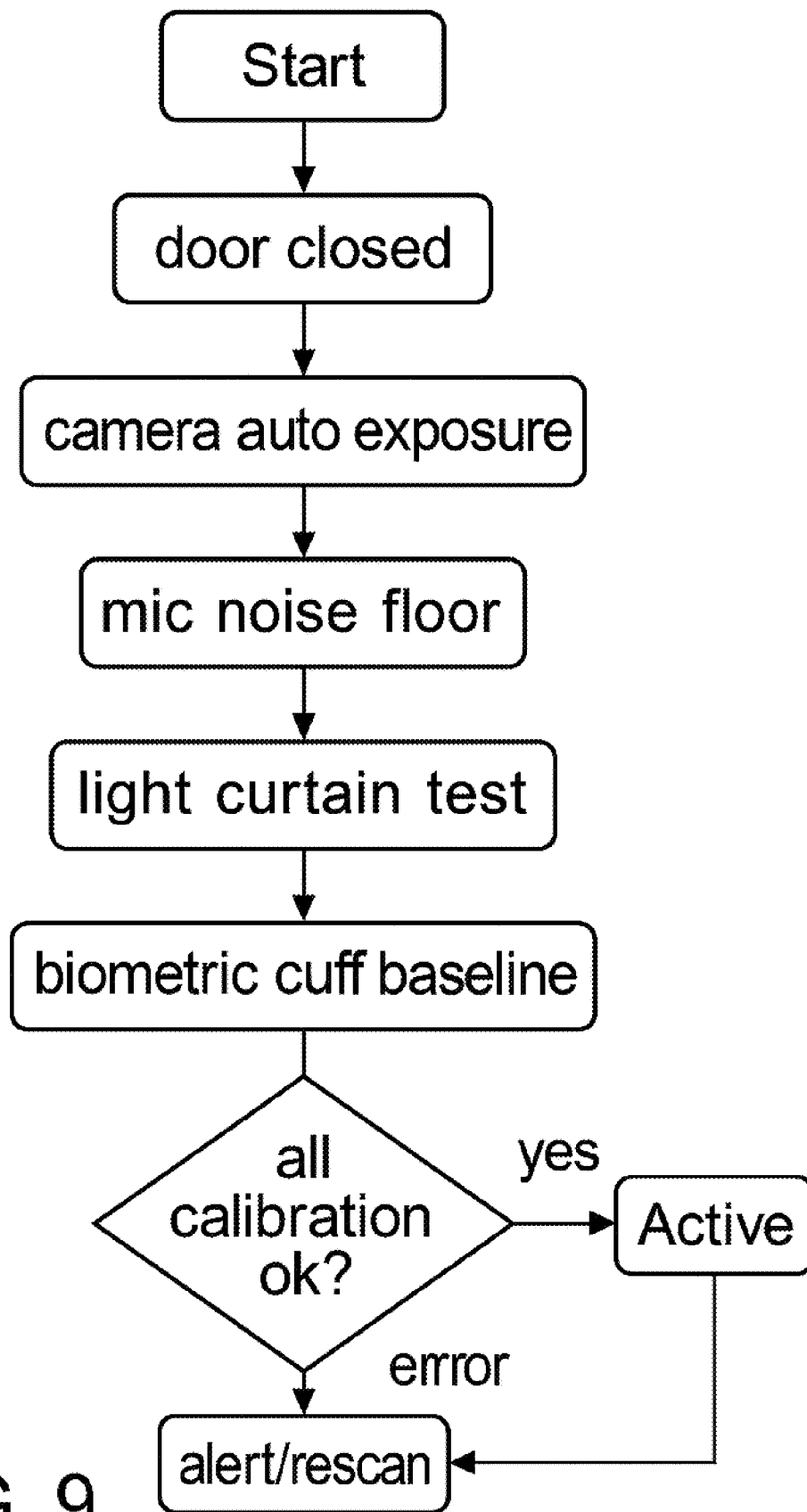


FIG. 9

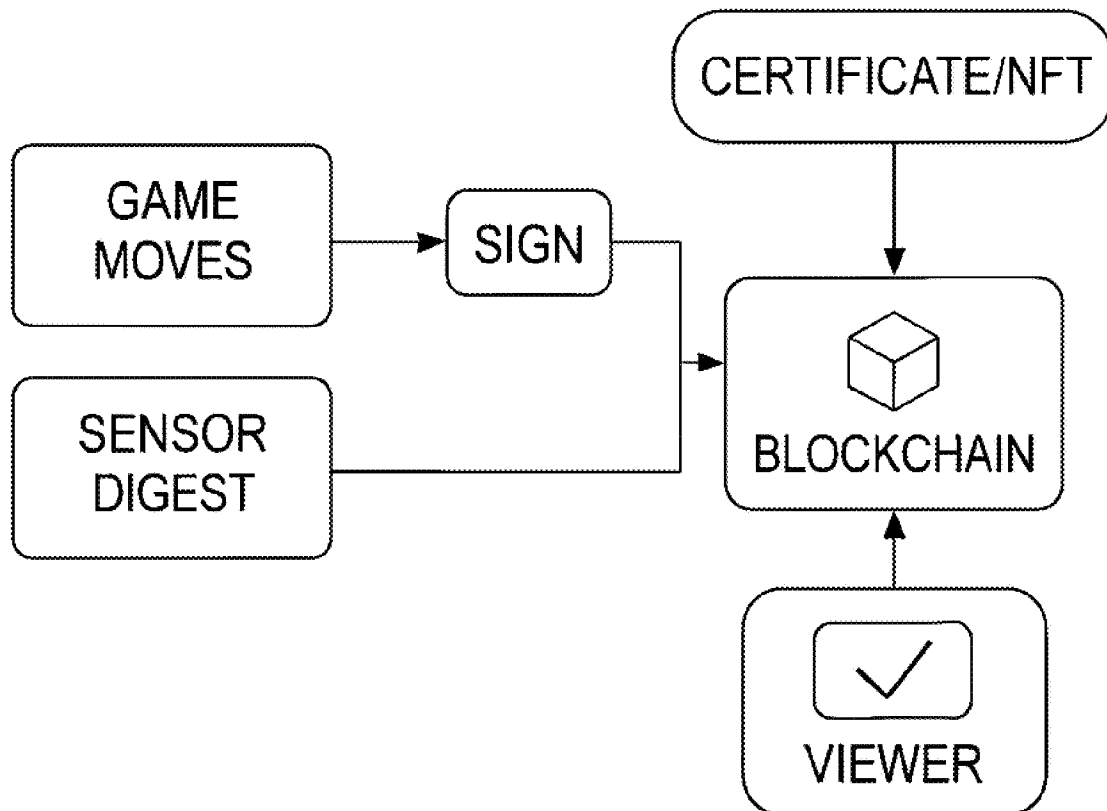


FIG. 10